

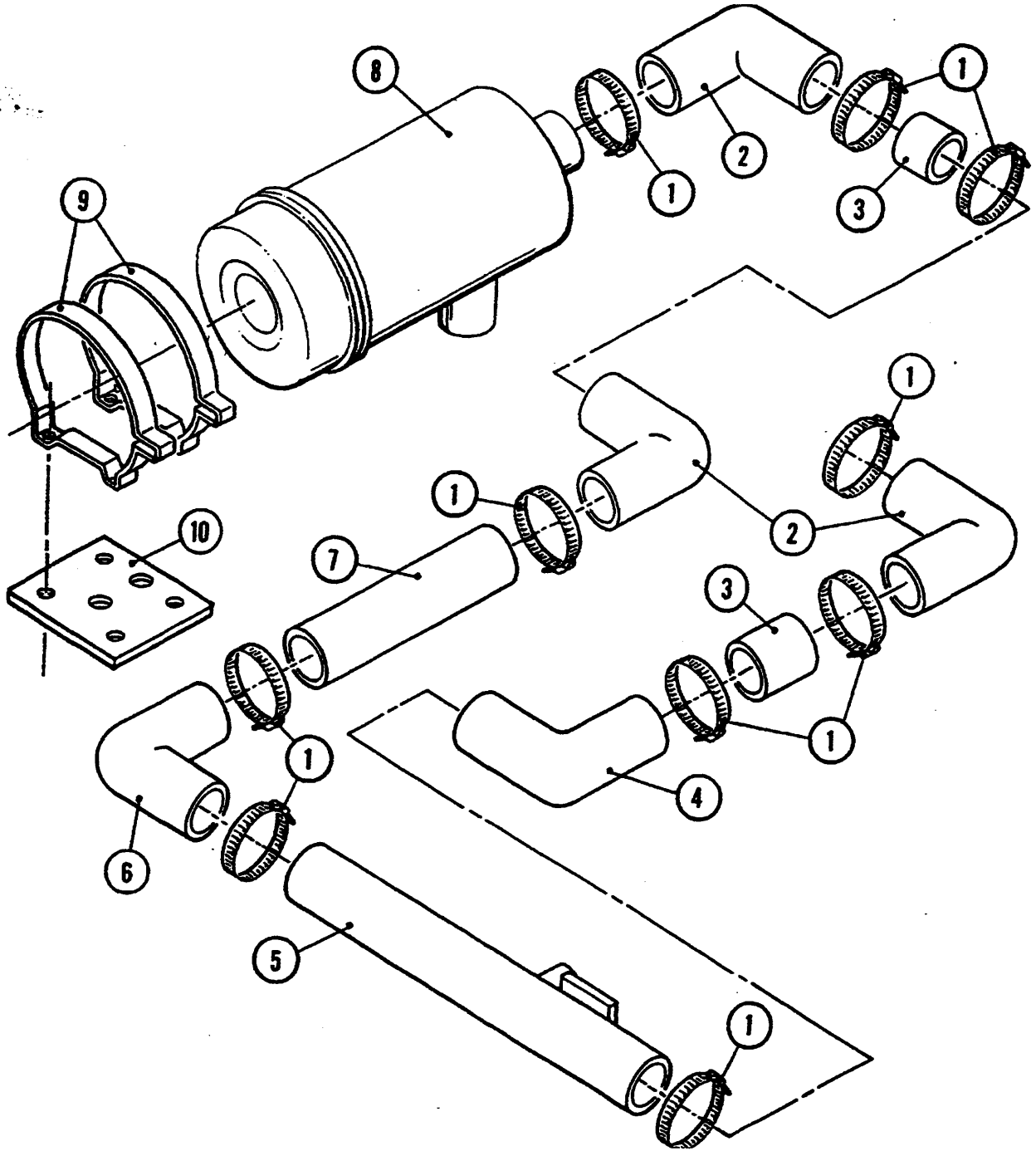


POWERBOSS®

PARTS SECTION FOR: 80, 82, & 90 SWEEPER/SCRUBBERS

| | | | |
|--------------------------------|-----|---|-----|
| AIR CLEANER - KUBOTA | 2 | INSTRUMENT PANEL | 104 |
| AXLE, BRAKES, AND WHEELS | 4 | LIGHTS | 106 |
| BATTERY | 6 | LOW DUMP ARM ASSEMBLY | 108 |
| BLOWER | 8 | LOW DUMP HOPPER | 110 |
| BRAKES- HYDRAULIC | 10 | MAIN BROOM | 112 |
| CAB | 16 | MANUAL DUMP HOPPER | 114 |
| CAB PRESSURIZER | 18 | OVERHEAD GUARD | 116 |
| CATALYTIC CONVERTER | 20 | POWER STEERING | 118 |
| CLOGGED FILTER INDICATOR | 22 | RADIATOR - KUBOTA | 120 |
| CURB BROOM GUARD | 24 | RADIATOR - PERKINS | 122 |
| DIRECTIONAL CONTROL | 26 | REMOTE WET-SWEEP BYPASS | 124 |
| EDGE SCRUB | 28 | SAFETY ARM ASSEMBLY | 126 |
| ENGINE - FORD | 36 | SCRUBHEAD LIFT AND SOLUTION DELIVERY | 128 |
| ENGINE - FORD (SERVICE PARTS) | 44 | SIDE BROOM | 132 |
| ENGINE - KUBOTA 3 CYL | 50 | SIDE SCRUB BRUSH | 134 |
| ENGINE - KUBOTA 4 CYL | 54 | SOLUTION AND RECOVERY TANK LEVEL IND | 136 |
| ENGINE - PERKINS | 58 | SOLUTION SYSTEM - EXTENDED | 138 |
| ENGINE COVER | 64 | SOLUTION TANK - FULL SIZE | 140 |
| EXHAUST - KUBOTA | 66 | SOLUTION TANK - HIGH CAPACITY | 142 |
| EXHAUST - PERKINS | 68 | SOLUTION TANK - MID SIZE | 144 |
| FRAME ASSY | 70 | SOLUTION TANK - PLASTIC | 146 |
| FRONT BUMPER | 74 | SQUEEGEE | 148 |
| FUEL SYSTEM | 76 | SQUEEGEE LIFT | 150 |
| GRAMMER SEAT | 78 | SQUEEGEE SWITCH BOX | 152 |
| HEATER/DEFROSTER | 80 | SQUEEGEE WAND | 154 |
| HIGH DUMP ARM ASSEMBLY | 82 | STEERING ASSEMBLY | 156 |
| HIGH DUMP HOPPER | 84 | STEERING FORK & DRIVE TIRE | 158 |
| HOPPER FIRE INDICATOR | 86 | TIRE ASSY - MICHELIN | 160 |
| HOPPER SHUTOFF | 88 | VACUUM WAND | 162 |
| HYDRAULIC HOSES - HIGH DUMP | 90 | VACUUMIZED CURB BROOM | 164 |
| HYDRAULIC HOSES - LOW DUMP | 92 | WATER RECYCLING SYSTEM | 168 |
| HYDRAULIC HOSES - TSS/90 HD HC | 94 | WATER RECYCLING SYSTEM (REVISED) | 170 |
| HYDRAULIC RESERVOIR | 96 | WINDSHIELD WIPER | 174 |
| HYDRAULIC VALVE | 98 | EXCEPTION PARTS LIST (FOR 82 PLASTIC TANKS) | 176 |
| IMPELLER - HYDRAULIC | 100 | | |

AIR CLEANER - KUBOTA

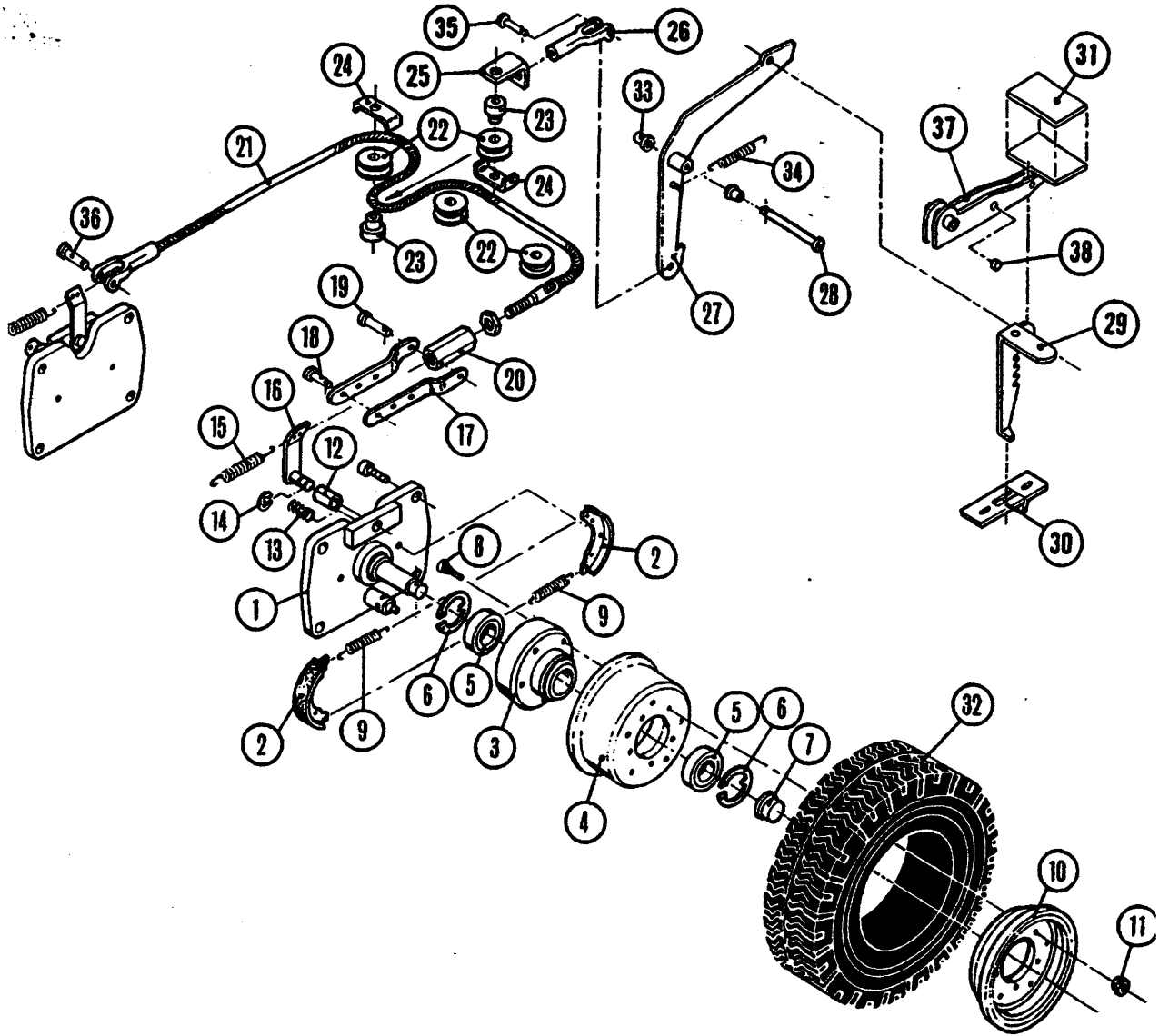




AIR CLEANER - KUBOTA

| REF# | 90 SER | 80 SER | DESCRIPTION | QUANTITY |
|------|--------|--------|---------------------------------|----------|
| 1 | 300336 | | CLAMP, HOSE, 2 1/2" | |
| 2 | 303386 | | ADAPTER, 90 DEG. ELBOW, RUBBER | |
| 3 | 303076 | | TUBE, W.D. MANIFOLD INTAKE | |
| 4 | 303385 | | ADAPTER, 90 DEG. ELBOW, RUBBER | |
| 5 | 303127 | | TUBE ASSEMBLY, AIR CLEANER | |
| | 305507 | | TUBE ASSEMBLY, AIR CLEANER | |
| 6 | 300396 | | ADAPTER, 90 DEG. ELBOW, RUBBER | |
| 7 | 302786 | | TUBE, AIR CLEANER INTAKE | |
| 8 | 300395 | | AIR CLEANER, DONALDSON | |
| | 303031 | | AIR CLEANER, HEAVY DUTY | |
| 9 | 300459 | | BAND, MOUNTING, AIR CLEANER | |
| 10 | 304256 | | PLATE, AIR CLEANER MOUNT (HD) | |
| | 305509 | | MOUNT, AIR CLEANER, KUBOTA (LD) | |
| 11 | 300526 | | BUMPER, RUBBER | |
| 12 | 303638 | | TUBE, AIR CLEANER (HD) | |
| | 302787 | | TUBE ASSEMBLY, ENGINE VENT | |

AXLE, BRAKES, AND WHEELS

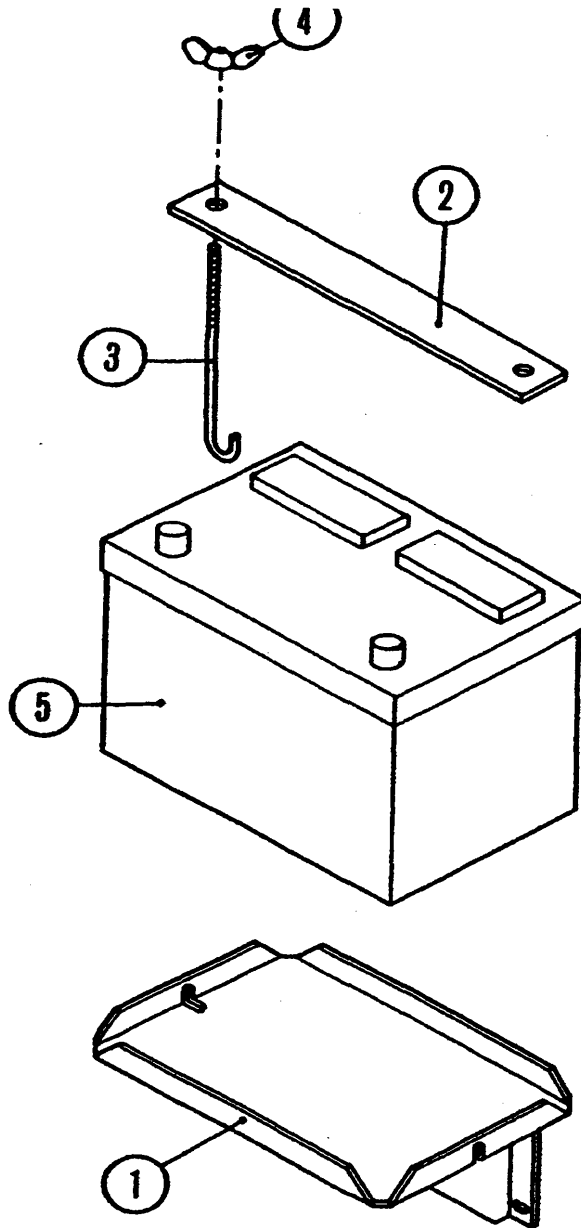




AXLE, BRAKES, AND WHEELS

| REF# | 90 SER | 80 SER | DESCRIPTION | QUANTITY |
|------|--------|--------|---------------------------------|----------|
| 1 | 300852 | | AXLE ASSEMBLY, FRONT | |
| 2 | 300523 | | SHOE, WITH LINING, BRAKE | |
| 3 | 300787 | | HUB, FRONT WHEEL | |
| 4 | 300211 | | RIM, FRONT WHEEL | |
| 5 | 300467 | | BEARING, BALL, 2.44 x 1.18 I.D. | |
| 6 | 300473 | | RING, RETAINER INTERNAL | |
| 7 | 300369 | | CAP, HUB | |
| 8 | 300415 | | STUD, WHEEL HUB | |
| 9 | 301519 | | SPRING, EXTENSION BRAKE SHOE | |
| 10 | 300408 | | RIM, OUTER | |
| 11 | 300411 | | NUT, WHEEL LUG | |
| 12 | 300410 | | BUSHING, 1.00 O.D. x .87 I.D. | |
| 13 | 301518 | | SPRING, COMPRESSION BRAKE SHOE | |
| 14 | 300484 | | RING, RETAINER EXTENSION, .87 | |
| 15 | 301517 | | SPRING, EXTENSION BRAKE LEVER | |
| 16 | 300870 | | LEVER ASSEMBLY, BRAKE | |
| 17 | 300203 | | BAR, CABLE | |
| 18 | 400118 | | PIN, CLEVIS, 5/16 x .88 | |
| 19 | 400185 | | PIN, CLEVIS, 5/16 x 1.25 | |
| 20 | 300202 | | BAR, CABLE ADJUSTMENT | |
| 21 | 300412 | 300486 | CABLE, BRAKE | |
| 22 | 300367 | | PULLEY, BRAKE | |
| 23 | 300035 | | SPACER, BRAKE PULLEY | |
| 24 | 300209 | | RETAINER, CABLE | |
| 25 | 300955 | | BRACKET, BRAKE PULLEY | |
| 26 | 300462 | | CLEVIS, CABLECRAFT AC-218 | |
| 27 | 300132 | 305333 | ARM ASSEMBLY, BRAKE | |
| 28 | 400115 | | PIN, CLEVIS 3/8 x 3.00 | |
| 29 | 303718 | | LOCK ASSEMBLY, BRAKE PEDAL | |
| 30 | 300058 | | LOCK ASSEMBLY, BRAKE | |
| 31 | 300413 | | PAD, BRAKE PEDAL | |
| 32 | 300370 | | TIRE (SOLID) | |
| 33 | 300414 | | BUSHING, PLASTIC MAIN BROOM | |
| 34 | 301522 | | SPRING, EXTENSION BRAKE ARM | |
| 35 | 400116 | | PIN, CLEVIS, 3/8 x 1.25 | |
| 36 | 400118 | | PIN, CLEVIS, 5/16 x .88 | |
| 37 | 303716 | | ARM ASSEMBLY, BRAKE PEDAL | |
| 38 | 303723 | | ROLLER, BRAKE ARM | |

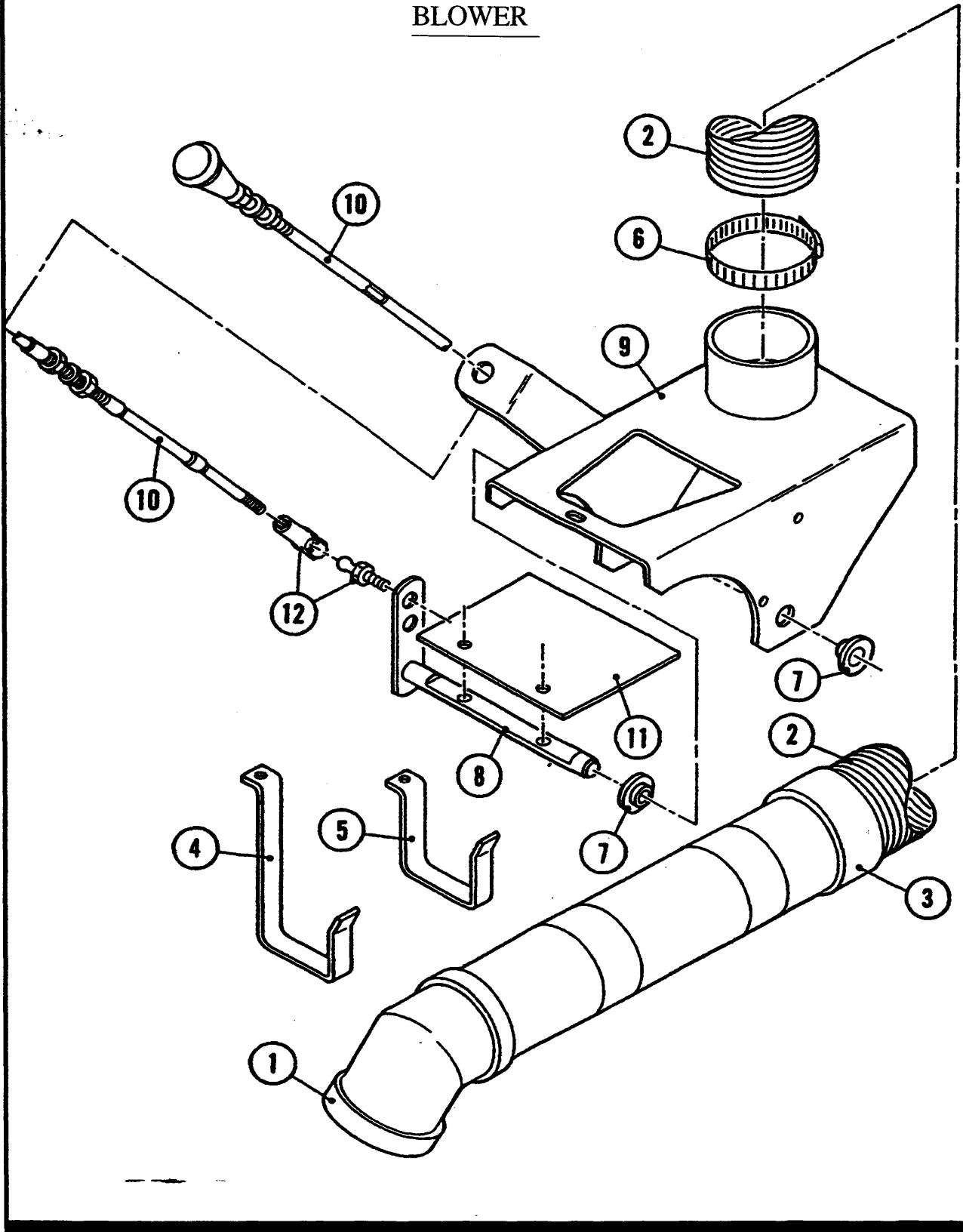
BATTERY



BATTERY

| REF# | 90 SER | 80 SER | DESCRIPTION | QUANTITY |
|------|--------|--------|---|----------|
| 1 | 300210 | | MOUNT ASSEMBLY, BATTERY | |
| 2 | 301076 | | HOLD DOWN, BATTERY | |
| 3 | 301079 | | ROD, BATTERY TIE-DOWN | |
| 4 | 400085 | | NUT, WING, 1/4 - 20 | |
| 5 | 300440 | | BATTERY, GAS ENGINE | |
| | 300448 | | BATTERY, DIESEL ENGINE | |
| 6 | 301384 | | CABLE ASSEMBLY, BATTERY, POSITIVE (NOT SHOWN) | |
| 7 | 301385 | | CABLE ASSEMBLY, BATTERY, NEGATIVE (NOT SHOWN) | |

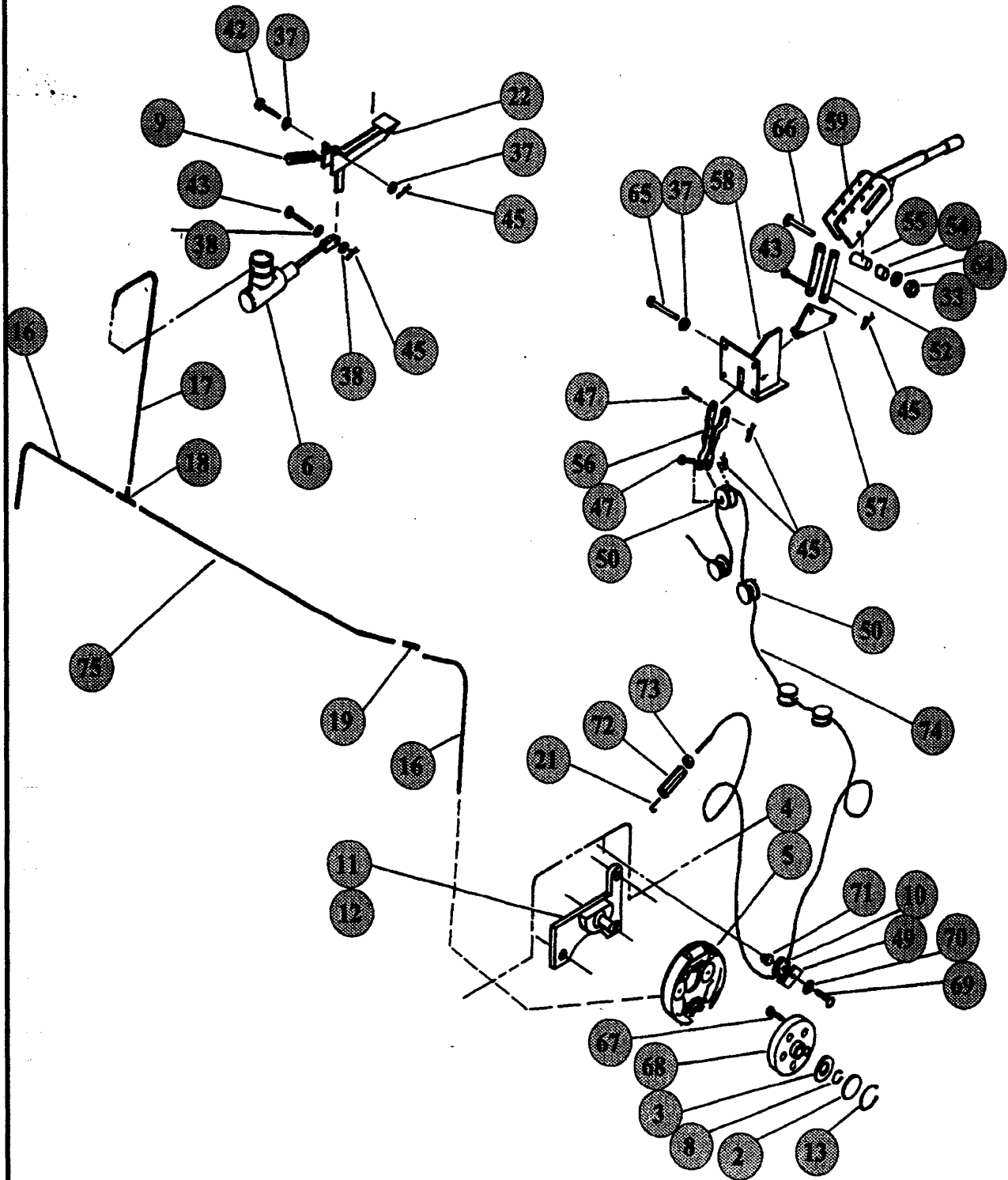
BLOWER



BLOWER

| REF# | 90 SER | 80 SER | DESCRIPTION | QUANTITY |
|------|--------|--------|---------------------------------------|----------|
| 1 | 302337 | | WAND ASSEMBLY, BLOWER | |
| 2 | 302329 | | HOSE, 2 1/2" I.D., BLOWER | |
| 3 | 302203 | | CUFF, 2 1/2" I.D., BLOWER | |
| 4 | 302530 | | BRACKET, HOSE RETAINER, LONG | |
| 5 | 302529 | | BRACKET, HOSE RETAINER, SHORT | |
| 6 | 300336 | | HOSE, CLAMP | |
| 7 | 300414 | | BUSHING | |
| 8 | 305768 | | ROD ASSEMBLY, DAMPER, BLOWER MANIFOLD | |
| 9 | 305763 | | MANIFOLD ASSEMBLY, BLOWER | |
| 10 | 301427 | | CABLE, IMPELLER STOP | |
| 11 | 305770 | | DAMPER, BLOWER MANIFOLD | |
| 12 | 301459 | | BALL JOINT, #10 - 32 | |

BRAKES - HYDRAULIC
INCLUDES HAND LEVER PARKING BRAKE

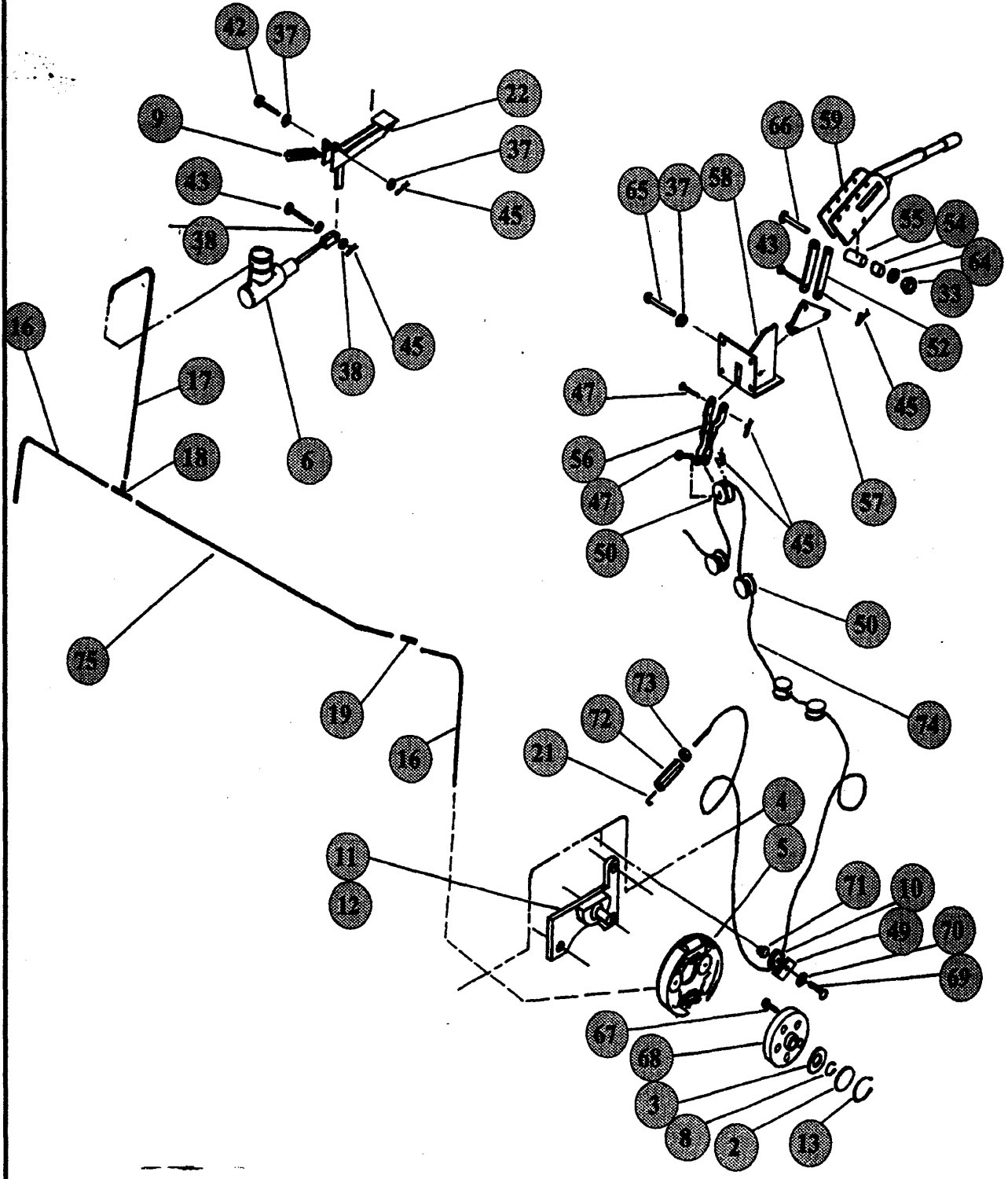




BRAKES - HYDRAULIC (90 ONLY)
INCLUDES HAND LEVER PARKING BRAKE

| REF# | PART# | DESCRIPTION | QUANTITY |
|--|--------|------------------------------------|------------|
| | 316396 | Hydraulic Brakes Option | 1 |
| Above sub-assembly contains the following items. | | | |
| 1 | 304164 | SPRING - EXT 1.75 LG | 1 |
| 2 | 304506 | COVER - BRG TO HYD BRAKE PLTD | 2 |
| 3 | 304509 | SHIM - AXLE PLTD | 2 |
| 4 | 304542 | ASSY - HYD BRAKE RH | 1 |
| 5 | 304543 | ASSY - HYD BRAKE LH | 1 |
| 6 | 304544 | ASSY - MASTER CYL HYD BRAKE | 1 |
| 7 | 304604 | ASSY - TIRE & RIM SOLID SUB HYD | 2 |
| | 300370 | TIRE - SOLID | 1 |
| | 300408 | RIM - OUTER MACH & PNTD | 1 |
| | 304545 | RIM - INNER HYD BRAKE PNTD | 1 |
| | 400015 | SCR, FLT, 7/16-14 X 1.5, SOC ZP | 5 |
| | 400066 | NUT - HEX 7/16-14 ZP | 5 |
| | 400099 | WASHER - LOCK 7/16 SPLIT ZP | 5 |
| 8 | 304633 | ASSY - RET INT 2.625 DIA | 2 |
| 9 | 304752 | SPRING - PEDAL HYD BRAKE | 1 |
| 10 | 304760 | PULLEY - CABLE HYD BRAKE PNTD | 4 |
| 11 | 305754 | ASSY - FRONT AXLE COMP HYD RH PNTD | 1 |
| 12 | 305756 | ASSY - FRONT AXLE COMP HYD LH PNTD | 1 |
| 13 | 305935 | RING - RET EXT AXLE HYD BRAKE | 2 |
| 14 | 306215 | CABLE - PARK HYD BRAKE | 1 |
| 15 | 306279 | ASSY - BRAKE LINE MAIN | 1 |
| 16 | 306305 | ASSY - BRAKE LINE WHEEL | 2 |
| 17 | 306306 | ASSY - BRAKE LINE M. CYLINDER | 1 |
| 18 | 306307 | FTG - TEE HYD BRAKE | 1 |
| 19 | 306308 | FTG - COUPLING HYD BRAKE | 1 |
| 20 | 306447 | CONNECTOR - HYD BRAKE CABLE PLTD | 2 |
| 21 | 306450 | PIN - HYD BRAKE CABLE PLTD | 2 |
| 22 | 306452 | ASSY - HYD BRAKE PEDAL PNTD | 1 |
| 23 | 306454 | ASSY - HYD BRAKE MNT PNTD | 1 |
| 24 | 306460 | RETAINER - CABLE HYD BRAKE PLTD | 4 |
| 25 | 306871 | FLUID - BRAKE HYDRAULIC (DOT 3) | 16 FL. OZ. |
| 26 | 400006 | SCREW - BUT 5/18-11 X 1.0, SOC | 2 |
| 27 | 400010 | SCREW - CAR 1/4-20 X .75 ZP | 2 |
| 28 | 400011 | SCREW - FLT 5/8-11 X 1.0 SOC ZP | 2 |
| 29 | 400028 | SCREW - HEX 3/8-16 X 1.5 ZP | 1 |
| 30 | 400031 | SCREW - HEX 3/8 -16 X 2.0 ZP | 3 |
| 31 | 400068 | NUT - HEX 3/8-16 ZP | 3 |
| 32 | 400069 | NUT - HEX 5/16-24 ZP | 1 |
| 33 | 400070 | NUT - HEX 5/16-18 ZP | 3 |
| 34 | 400071 | NUT - HEX 1/4-20 ZP | 2 |
| 35 | 400079 | NUT - HEX 3/8-16 ES ZP | 1 |

BRAKES - HYDRAULIC (Cont.)
INCLUDES HAND LEVER PARKING BRAKE

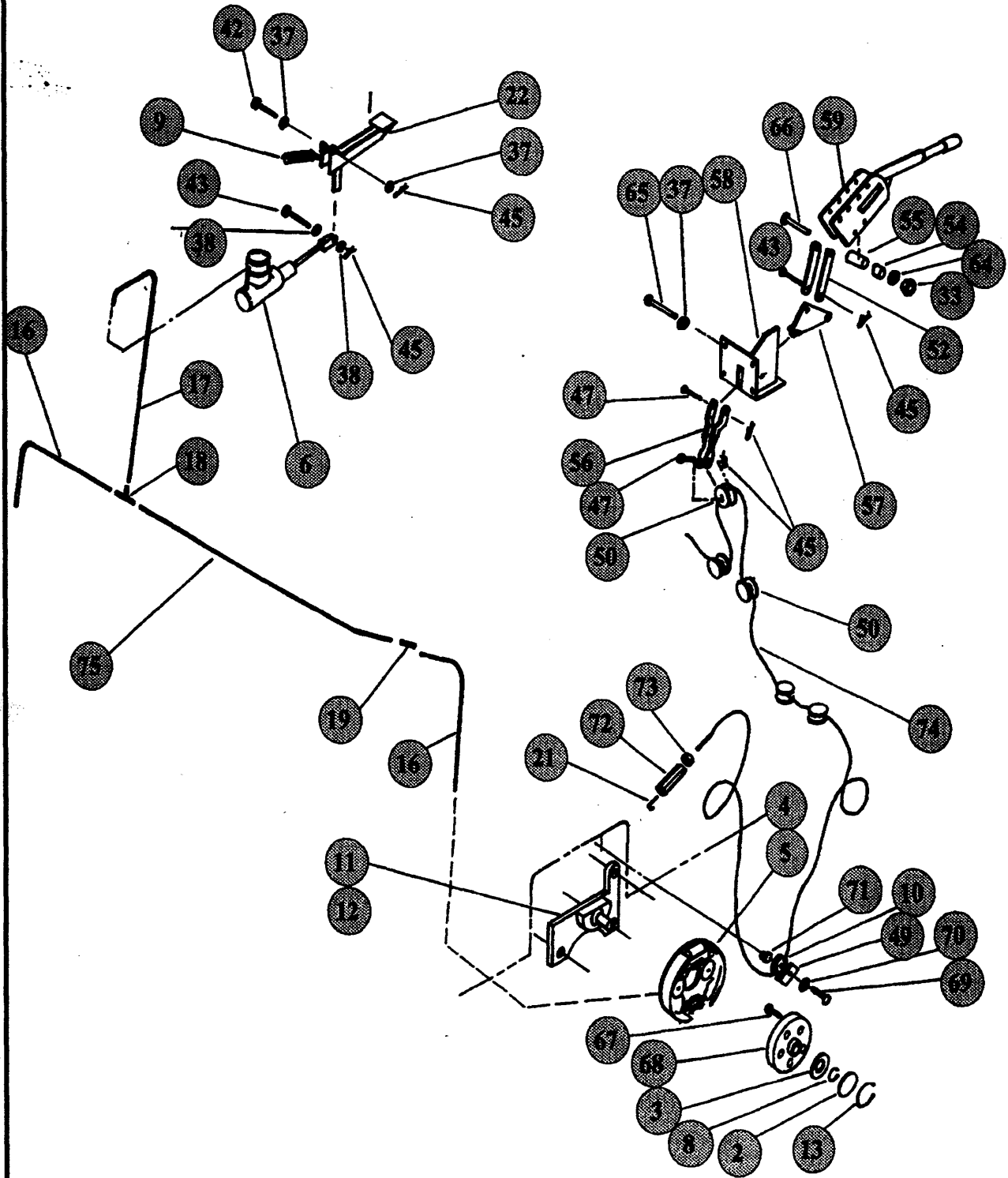




BRAKES - HYDRAULIC (90 ONLY)
INCLUDES HAND LEVER PARKING BRAKE

| REF# | PART# | DESCRIPTION | QUANTITY |
|------|--------|--------------------------------|----------|
| 36 | 400081 | NUT - HEX 1/4-20 ES ZP | 1 |
| 37 | 400087 | WASHER - FLAT 3/8 STANDARD ZP | 4 |
| 38 | 400088 | WASHER - FLAT 5/16 STANDARD ZP | 3 |
| 39 | 400089 | WASHER - FLAT 1/4 STANDARD ZP | 2 |
| 40 | 400101 | WASHER - LOCK 3/8 SPLIT ZP | 3 |
| 41 | 400103 | WASHER - LOCK 1/4 SPLIT ZP | 2 |
| 42 | 400115 | PIN - CLEVIS 3/8 X 3.0 ZP | 1 |
| 43 | 400118 | PIN - CLEVIS 5/16 X 7/8 ZP | 5 |
| 44 | 400123 | PIN - COTTER - 3/32 X 1.5 ZP | 2 |
| 45 | 400125 | PIN - COTTER 3/8 RUE-RING | 6 |
| 46 | 400149 | SCREW - HEX 1/4-20 X 1.5 ZP | 1 |
| 47 | 400185 | PIN - CLEVIS 5/16 X 1-1/4 ZP | 1 |
| 48 | 400376 | PIN - CLEVIS 3/8 X 2-7/16 ZP | 1 |
| 67 | 300415 | STUD - WHEEL HUB | 5 |
| 68 | 304508 | HUB - HYD WHEEL BRAKE | 1 |
| 69 | 400029 | SCREW - HEX 3/8-16 X 1.25 ZP | 1 |
| 70 | 400435 | WASHER - LOCK 3/8 SPLIT ZP | 1 |
| 71 | 300035 | SPACER - BRAKE PULLEY PLTD | 1 |
| 72 | 300202 | BAR - CABLE ADJ MACH & PLTD | 1 |
| 73 | 400180 | NUT - HEX 1/4-28 ZP | 1 |
| 74 | 304753 | CABLE - PARK HYD BRAKE FS | 1 |
| 75 | 306278 | ASSY - BRAKE LINE MAIN FS | 1 |

BRAKES - HYDRAULIC
INCLUDES HAND LEVER PARKING BRAKE



BRAKES - HYDRAULIC (90 ONLY)
INCLUDES HAND LEVER PARKING BRAKE

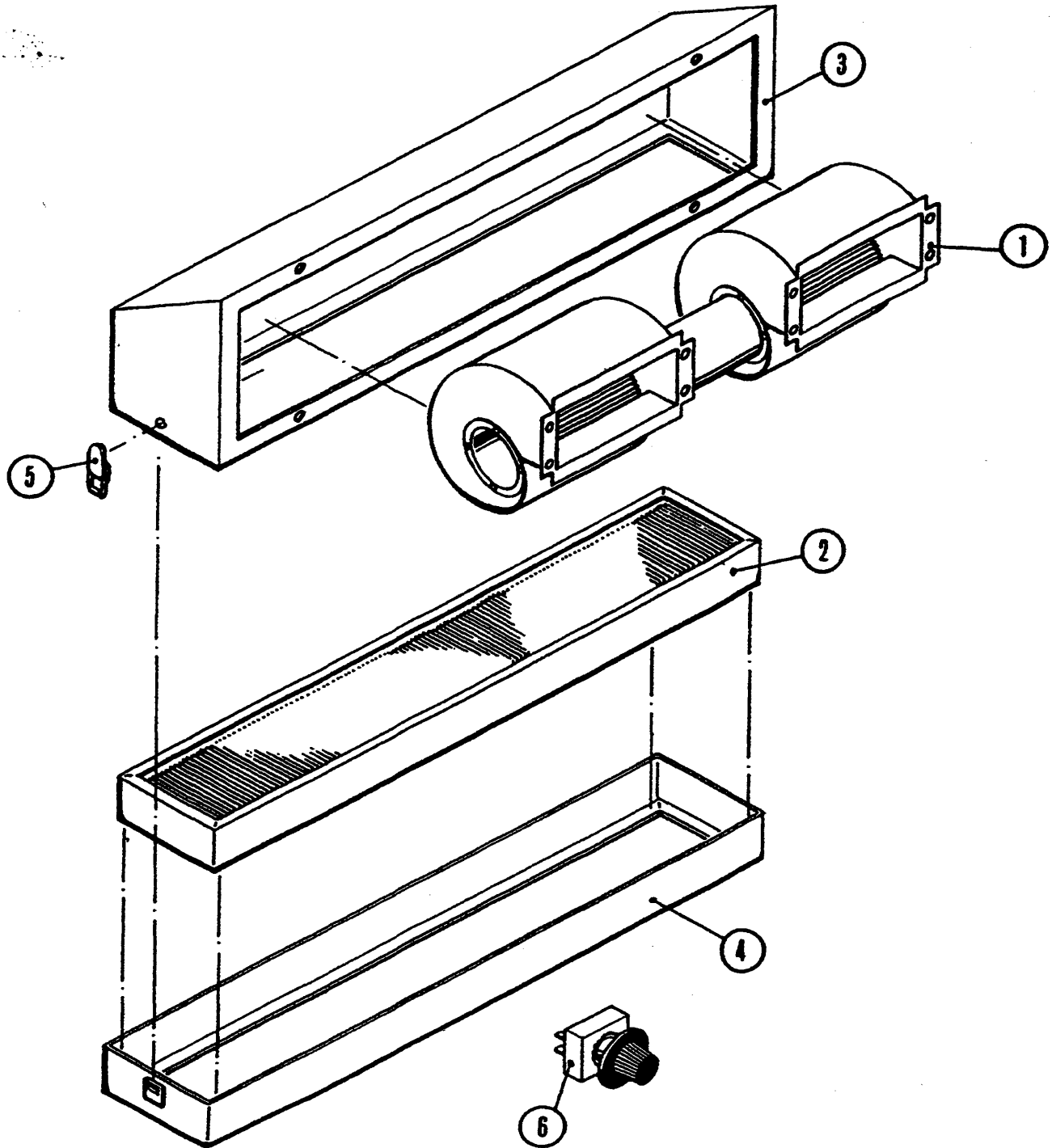
| REF# | PART# | DESCRIPTION | QUANTITY |
|--|--------|----------------------------------|----------|
| | 319296 | Hand Lever Parking Brake Option | 1 |
| Above sub-assembly contains the following items. | | | |
| 31 | 400068 | NUT - HEX 3/8-16 ZP | 2 |
| 33 | 400070 | NUT - HEX 5/16-18 ZP | 6 |
| 37 | 400087 | WASHER - FLAT 3/8 STANDARD ZP | 2 |
| 40 | 400101 | WASHER - LOCK 3/8 SPLIT ZP | 2 |
| 43 | 400118 | PIN - CLEVIS 5/16 X 7/8 ZP | 2 |
| 45 | 400125 | PIN - COTTER 3/8 RUE-RING | 3 |
| 49 | 300209 | RETAINER - CABLE PLTD | 3 |
| 50 | 300367 | PULLEY - BRAKE | 3 |
| 51 | 300414 | BUSHING - PLASTIC MAIN BROOM | 2 |
| 52 | 303545 | BAR - CONTROL HAND BRAKE PNTD | 2 |
| 53 | 303551 | SHIM - HAND BRAKE PLTD | 2 |
| 54 | 303552 | SLEEVE - HAND BRAKE PLTD | 2 |
| 55 | 303553 | SHIM - FRAME HAND BRAKE PLTD | 2 |
| 56 | 303559 | ASSY - ARM PIVOT HAND BRAKE PNTD | 1 |
| 57 | 303628 | ASSY - PIVOT PLT HAND BRAKE PNTD | 1 |
| 58 | 306463 | ASSY - HAND BRAKE MOUNT PNTD | 1 |
| 59 | 306803 | LEVER - HAND BRAKE MACHINED | 1 |
| 60 | 400027 | SCREW - HEX 3/8-16 X 1.75 ZP | 2 |
| 61 | 400034 | SCREW - HEX 5/16-18 X 1.25 ZP | 1 |
| 62 | 400035 | SCREW - 5/16-18 X 1.0 ZP | 3 |
| 63 | 400038 | SCREW - HEX 5/16-18 X 2.25 ZP | 2 |
| 64 | 400102 | WASHER - LOCK 5/16 SPLIT ZP | 6 |
| 65 | 400347 | PIN - CLEVIS 3/8 X 2-5/8 ZP | 1 |



CAB

| REF# | 90 SER | 80 SER | DESCRIPTION | QUANTITY |
|------|--------|--------|-----------------------------|----------|
| 1 | 302916 | | FRAME ASSEMBLY, CAB | |
| 2 | 302908 | | DOOR ASSEMBLY, CAB | |
| 3 | 302877 | | HINGE ASSEMBLY | |
| 4 | 302875 | | SPACER, CAB | |
| 5 | 302857 | | STRIKER, LATCH, CAB | |
| 6 | 302882 | | PLATE, CAB FILLER | |
| 7 | 302895 | | INSULATION, CAB DOOR | |
| 8 | 302888 | | INSULATION, CAB ROOF | |
| 9 | 302887 | | INSULATION, CAB DOOR | |
| 10 | 302919 | | SEAL, CAB DOOR | |
| 11 | 302922 | | SEAL, CAB DOOR POST | |
| 12 | 302923 | | SEAL, CAB, BOTTOM FRONT | |
| 13 | 302924 | | SEAL, CAB, BOTTOM LEFT HAND | |
| 14 | 302925 | | SEAL, CAB BOTTOM REAR | |
| 15 | 302926 | | SEAL, CAB, FILLER PLATE | |
| 16 | 302928 | | GASKET, FRAME, SHORT | |
| 17 | 302929 | | SEAL, CAB, FOOT PLATE | |
| 18 | 302927 | | GASKET, CAB FRAME | |
| 19 | 302482 | | BUMPER, SEAT MOUNT | |
| 20 | 300465 | | MOUNT, ISOLATION | |
| 21 | 302301 | | LATCH, CAB | |
| 22 | 302932 | | BOLT, CAB LATCH | |
| 23 | 303152 | | PLATE, CAB LIGHT COVER | |
| 24 | 303153 | | PLATE, CAB PRESSURIZER | |
| 25 | 303141 | | GASKET, CAB FRAME LINTEL | |
| 26 | 303293 | | BRACKET, SUP SUB SEAT MOUNT | |

CAB PRESSURIZER

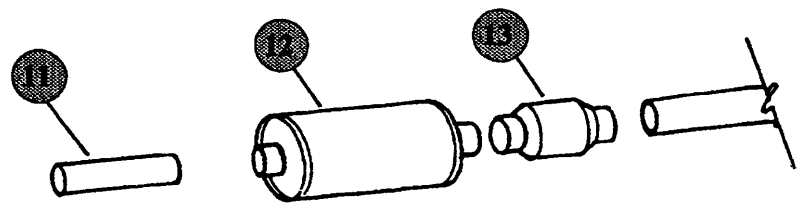
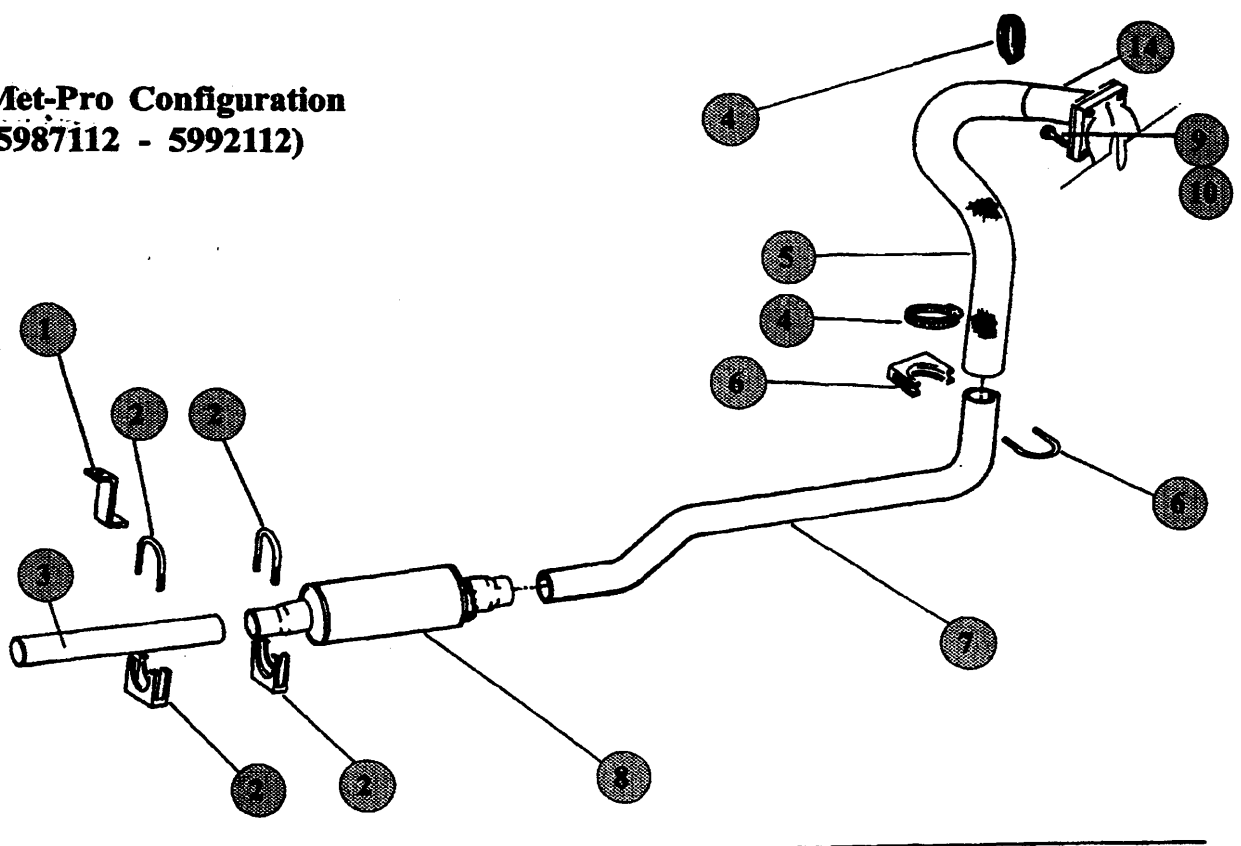


**CAB PRESSURIZER**

| REF# | 90 SER | 80 SER | DESCRIPTION | QUANTITY |
|------|--------|--------|--|----------|
| 1 | 302934 | | PRESSURIZER, CAB | |
| 2 | 302936 | | FILTER, PRESSURIZER | |
| 3 | 303509 | | HOUSING ASSEMBLY, CAB PRESSURIZER | |
| 4 | 303512 | | RETAINER ASSEMBLY, FILTER, CAB PRESSURIZER | |
| 5 | 303513 | | LATCH, CAB PRESSURIZER | |
| 6 | 303072 | | SWITCH, 3-SPEED | |

CATALYTIC CONVERTER

Met-Pro Configuration
(5987112 - 5992112)

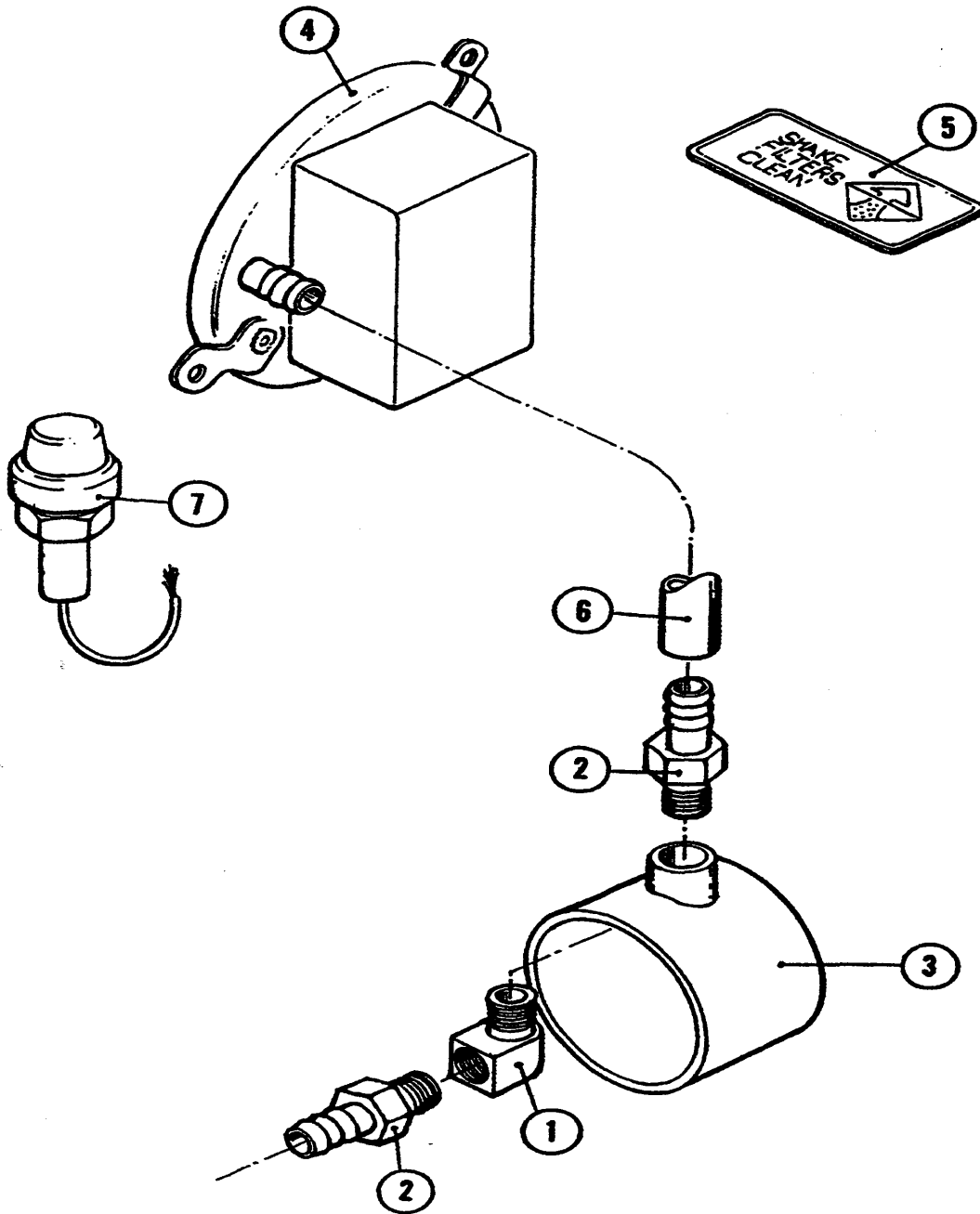


Engelhard Configuration
(5993112 - 6000112)

CATALYTIC CONVERTER (90 ONLY)

| REF# | PART# | DESCRIPTION | QUANTITY |
|--|--------|--------------------------------------|----------|
| Met-Pro converter is installed as follows: | | | |
| 1 | 300944 | SUPPORT - MUFFLER PLTD | 1 |
| 2 | 301640 | CLAMP - EXHAUST 1-3/4 | 2 |
| 3 | 304762 | TUBE - EXHAUST TAILPIPE PNTD SC HC | 1 |
| 4 | 300336 | CLAMP - HOSE 2.5 NOM SS | 2 |
| 5 | 312281 | EXHAUST - WRAP MANIFOLD TUBE | 1 |
| 6 | 303118 | CLAMP - EXHAUST 1-5/8 | 1 |
| 7 | 301071 | TUBE - EXHAUST INT FORD | 1 |
| 8 | 303187 | CATALYTIC CONVERTER FOR DIESEL (MET) | 1 |
| 9 | 400614 | WASHER - LOCK 14MM | 4 |
| 10 | 400613 | SCREW - 14MM X 1.5 X 25MM | 4 |
| Engelhard converter is installed as follows: | | | |
| 11 | 309049 | TUBE - EXHAUST TAILPIPE 82 | 1 |
| 12 | 300539 | MUFFLER | 1 |
| 13 | 316419 | CATALYTIC CONVERTER DSL ENGELHARD | 1 |
| 14 | 313281 | ASSY - MANIFOLD TUBE PERKINS NJT | 1 |

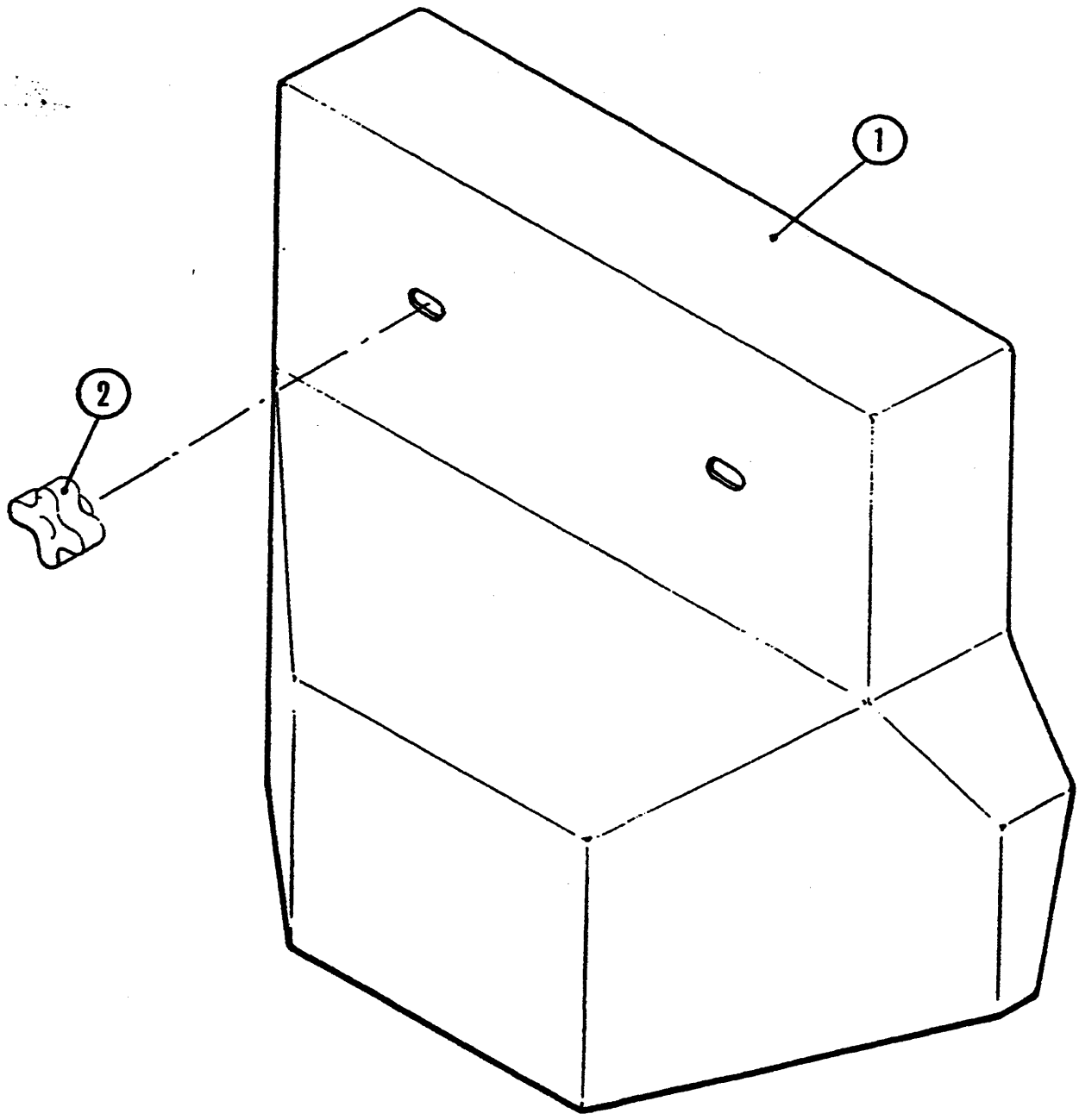
CLOGGED FILTER INDICATOR



CLOGGED FILTER INDICATOR

| REF# | 90 SER | 80 SER | DESCRIPTION | QUANTITY |
|------|--------|--------|--|----------|
| 1 | 400260 | | FITTING, 90 DEG. 1/4 NPT x 1/4 NPT | |
| 2 | 400261 | | FITTING, HOSE BARB 3/8 NPT x 5/16 HOSE | |
| 3 | 303515 | | MOUNT ASSEMBLY, CLOGGED FILTER | |
| 4 | 303327 | | VACUUM, SWITCH | |
| 5 | 302518 | | DECAL, FILTER (DIRTY) | |
| 6 | 303516 | | HOSE, CLOGGED FILTER | |
| 7 | 301553 | | LIGHT, RTR | |

CURB BROOM GUARD

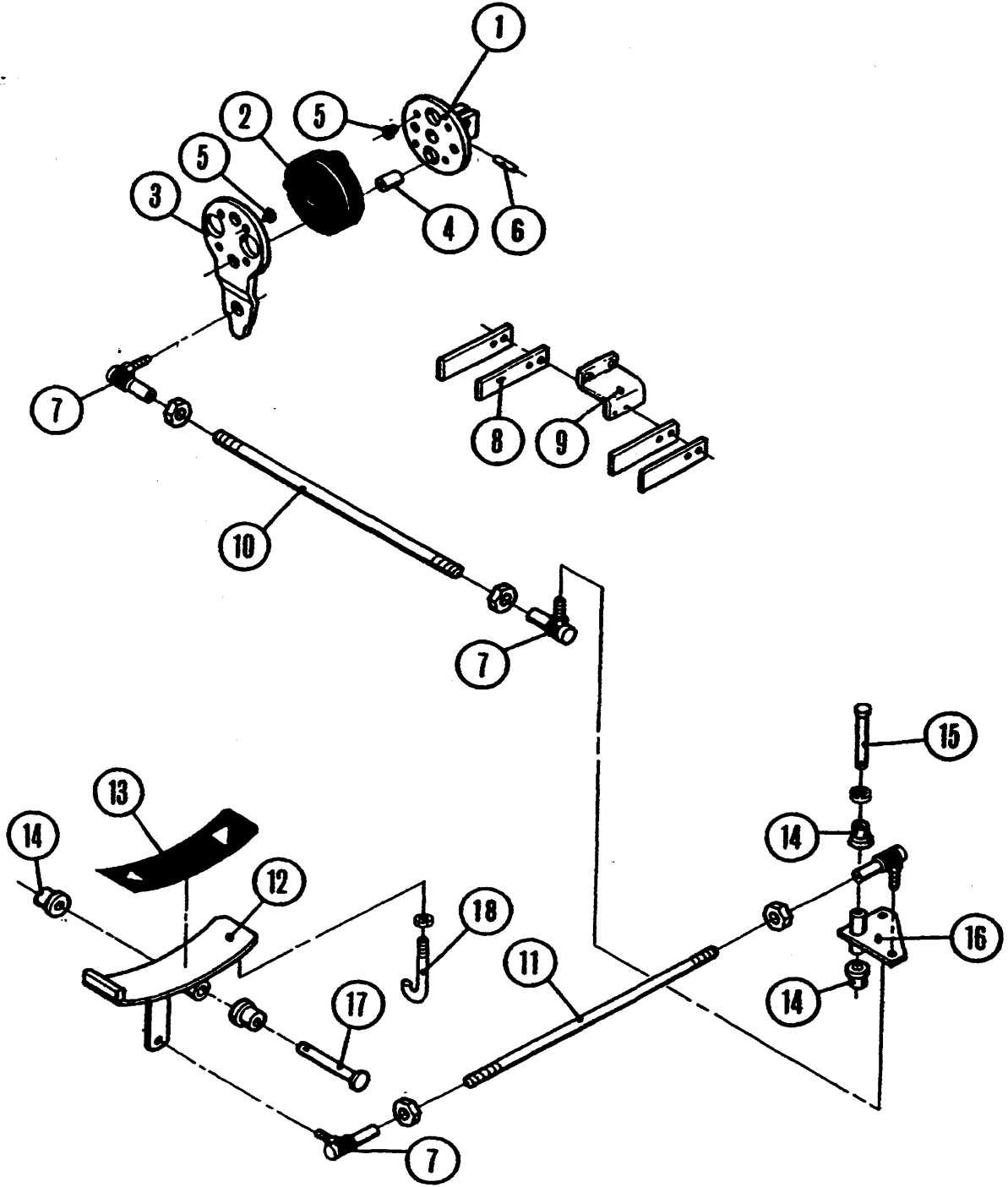




CURB BROOM GUARD

| REF# | 90 SER | 80 SER | DESCRIPTION | QUANTITY |
|------|--------|--------|---------------------------------------|----------|
| 1 | 303119 | | GUARD ASSEMBLY, HEAVY DUTY CURB BROOM | |
| 2 | 303179 | | KNOB, ALUMINUM HAND | |

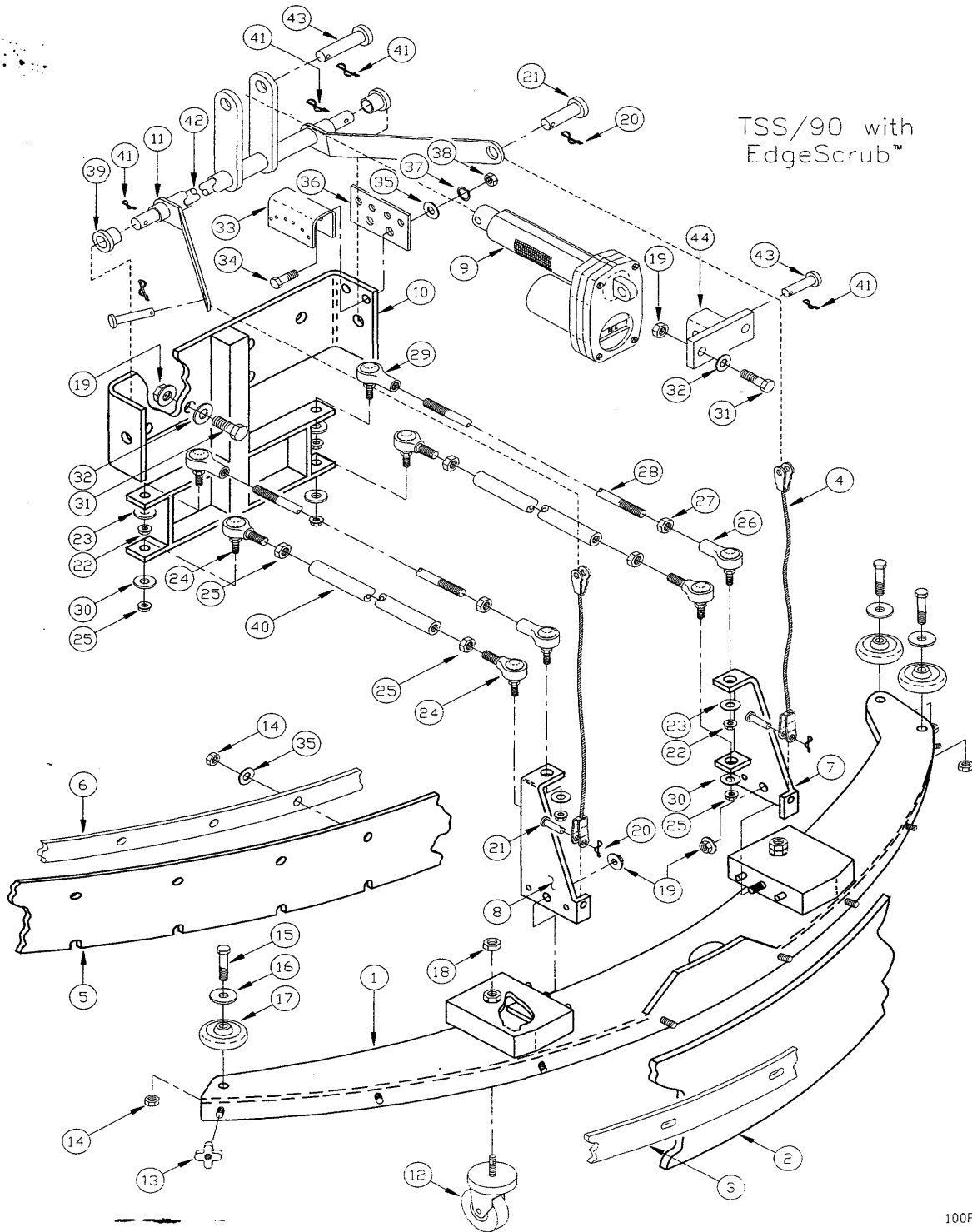
DIRECTIONAL CONTROL



DIRECTIONAL CONTROL

| REF# | 90 SER | 80 SER | DESCRIPTION | QUANTITY |
|------|--------|--------|------------------------------------|----------|
| 1 | 301544 | | DISC ASSEMBLY, FWD/REV | |
| 2 | 301507 | | RING, COUPLING | |
| 3 | 301542 | | ARM, FWD/REV | |
| 4 | 300339 | | SLEEVE, FWD/REV | |
| 5 | 300526 | | BUMPER, RUBBER | |
| 6 | 400127 | | PIN, ROLL, 1/4 x 1.50 | |
| 7 | 300461 | | JOINT ASSEMBLY, BALL, 3/8 | |
| 8 | 300543 | | SPRING, RETURN DIRECTIONAL CONTROL | |
| 9 | ** | | BRACKET, ADJUSTMENT, FWD/REV | |
| 10 | 304916 | 302357 | ROD, FWD/REV (TOYOTA) | |
| | 300030 | | ROD, FWD/REV (FORD) | |
| | 302793 | 302357 | ROD, FWD/REV (DIESEL) | |
| 11 | 300029 | | ROD, FWD/REV | |
| 12 | 300737 | | PEDAL ASSEMBLY, FWD/REV | |
| 13 | 300544 | | PAD, FOOT PEDAL | |
| 14 | 300414 | | BUSHING, PLASTIC | |
| 15 | 400115 | | PIN, CLEVIS, 3/8 x 3.00 | |
| 16 | 300053 | 305312 | ARM ASSEMBLY, INTERMEDIATE | |
| 17 | 400114 | | PIN, CLEVIS, 3/8 x 4.00 | |
| 18 | 303818 | | BAR | |

EDGE SCRUB™

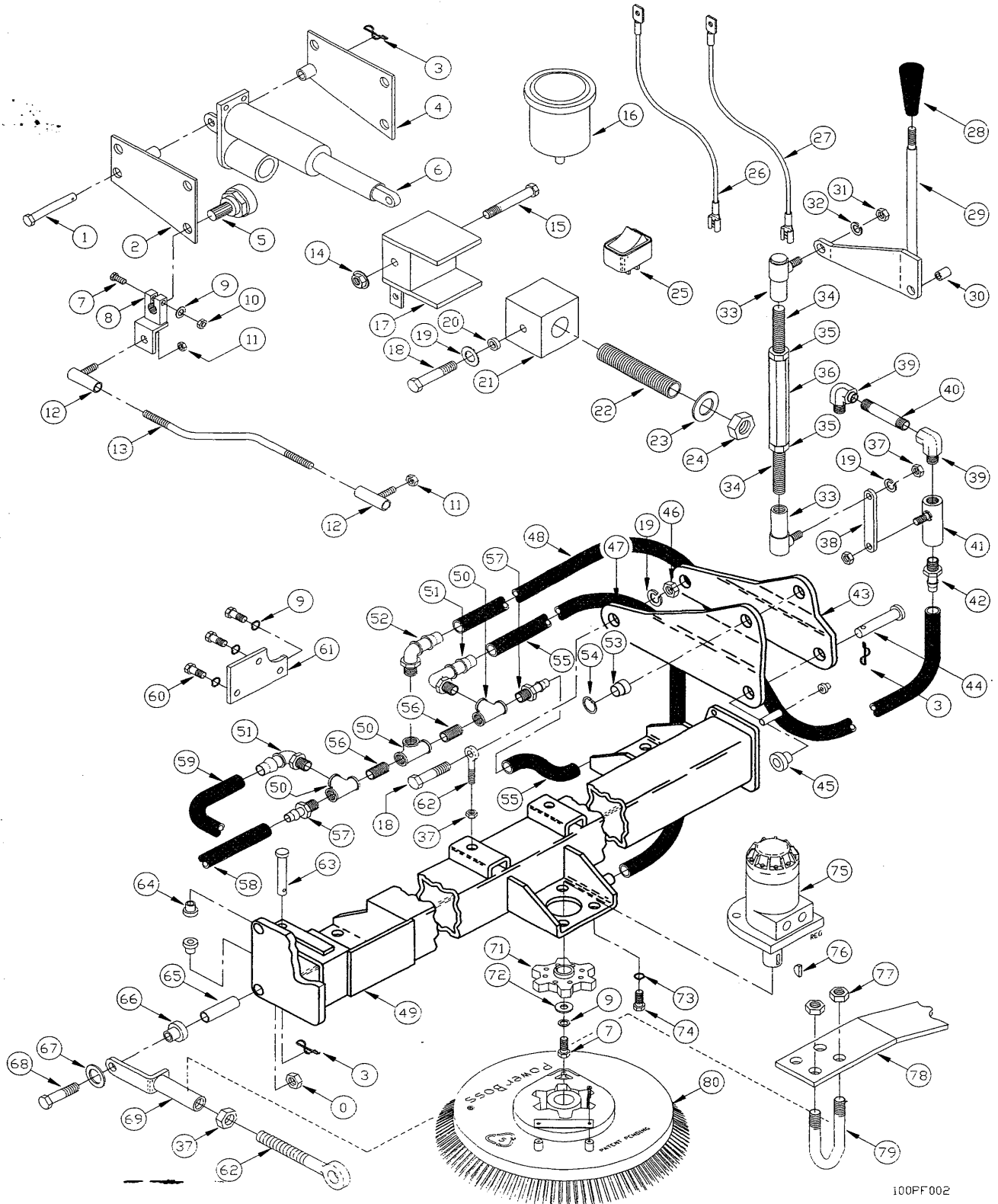


100PF001

EDGE SCRUB™

| REF# | PART# | DESCRIPTION | QUANTITY |
|------|--------|----------------------------------|----------|
| 1 | 315343 | WELD - SQUEEGEE FRAME FULL | 1 |
| 2 | 315734 | SQUEEGEE - REAR EDGE SCRUB | 1 |
| 3 | 315335 | STRAP - REAR SQUEEGEE ES | 1 |
| 4 | 315704 | CABLE - SQUEEGEE LIFT | 2 |
| 5 | 315733 | SQUEEGEE - FRONT EDGE SCRUB | 1 |
| 6 | 315324 | STRAP - FRONT SQUEEGEE | 1 |
| 7 | 315790 | WELD - BRKT SQUEEGEE LINKAGE RH | 1 |
| 8 | 315791 | WELD - BRKT SQUEEGEE LINKAGE LH | 1 |
| 9 | 302775 | ACTUATOR - POWER SCRUB HEAD LIFT | 1 |
| 10 | 315609 | WELD - SQUEEGEE ARM | 1 |
| 11 | 315630 | WELD - SQUEEGEE LIFT | 1 |
| 12 | 300434 | CASTER - SQUEEGEE SPECIAL | 2 |
| 13 | 302339 | KNOB - ALUM 5/16 - 18 FMTHD | 8 |
| 14 | 400080 | NUT - HEX 5/16 - 18 ES ZP | 14 |
| 15 | 400038 | SCR - HEX 5/16 - 18 X 2.25 ZP | 3 |
| 16 | 400233 | WASHER - FENDER 5/16 1.00 OD | 3 |
| 17 | 308158 | WHEEL - ROLLER 3" OD SQUEEGEE | 3 |
| 18 | 400192 | NUT - HEX JAM 5/8 - 11 ZP | 2 |
| 19 | 400395 | NUT - FLANGE LOCK 1/2 - 13 | 9 |
| 20 | 400125 | PIN - COTTER 3/8 RUE - RING | 4 |
| 21 | 400118 | PIN - CLEVIS 5/16 X 7/8 ZP | 4 |
| 22 | 400064 | NUT - HEX 1/2 - 20 ZP | 4 |
| 23 | 400086 | WASHER - FLAT 1/2 STANDARD ZP | 4 |
| 24 | 315756 | ROD END - MALE W/STUD RH | 4 |
| 25 | 400074 | NUT - HEX JAM 5/8 - 18 ZP | 4 |
| 26 | 315755 | ROD END - FEMALE W/STUD RH | 2 |
| 27 | 400449 | NUT - HEX JAM 1/2 - 20 ZP | 2 |
| 28 | 315606 | WELD - SQUEEGEE UPPER LINK | 2 |
| 29 | 315754 | ROD END - FEMALE W/STUD L/H | 2 |
| 30 | 400097 | WASHER - LOCK 5/8 SPLIT ZP | 4 |
| 31 | 400023 | SCR - HEX, 1/2 - 13 X 1.00 ZP | 7 |
| 32 | 400387 | WASHER - CONICAL SPRING 1/2 | 7 |
| 33 | 315746 | MNT - LIMIT SWITCH SQU LIFT | 1 |
| 34 | 400035 | SCR - HEX 5/16 -18 X 1.00 ZP | 2 |
| 35 | 400088 | WASHER - FLAT 5/16 STANDARD ZP | 2 |
| 36 | 315747 | MNT - CONTACTOR SQUEEGEE LIFT | 1 |
| 37 | 400102 | WASHER - 5/16 SPLIT LOCK | 2 |
| 38 | 400070 | NUT - HEX 5/16 - 18 ZP | 2 |
| 39 | 300432 | BUSHING - FL - 52 - 4 | 2 |
| 40 | 315601 | BAR - LOWER SQUEEGEE LINKAGE | 2 |
| 41 | 400124 | PIN - COTTER 5/8 RUE - RING | 4 |
| 42 | 315631 | SHAFT - SQUEEGEE LIFT | 1 |
| 43 | 308225 | PIN - CLEVIS 1/2 X 2.00 ZP | 2 |
| 44 | 315634 | WELD - ACTUATOR MOUNT | 1 |

EDGE SCRUB™ (CONT.)



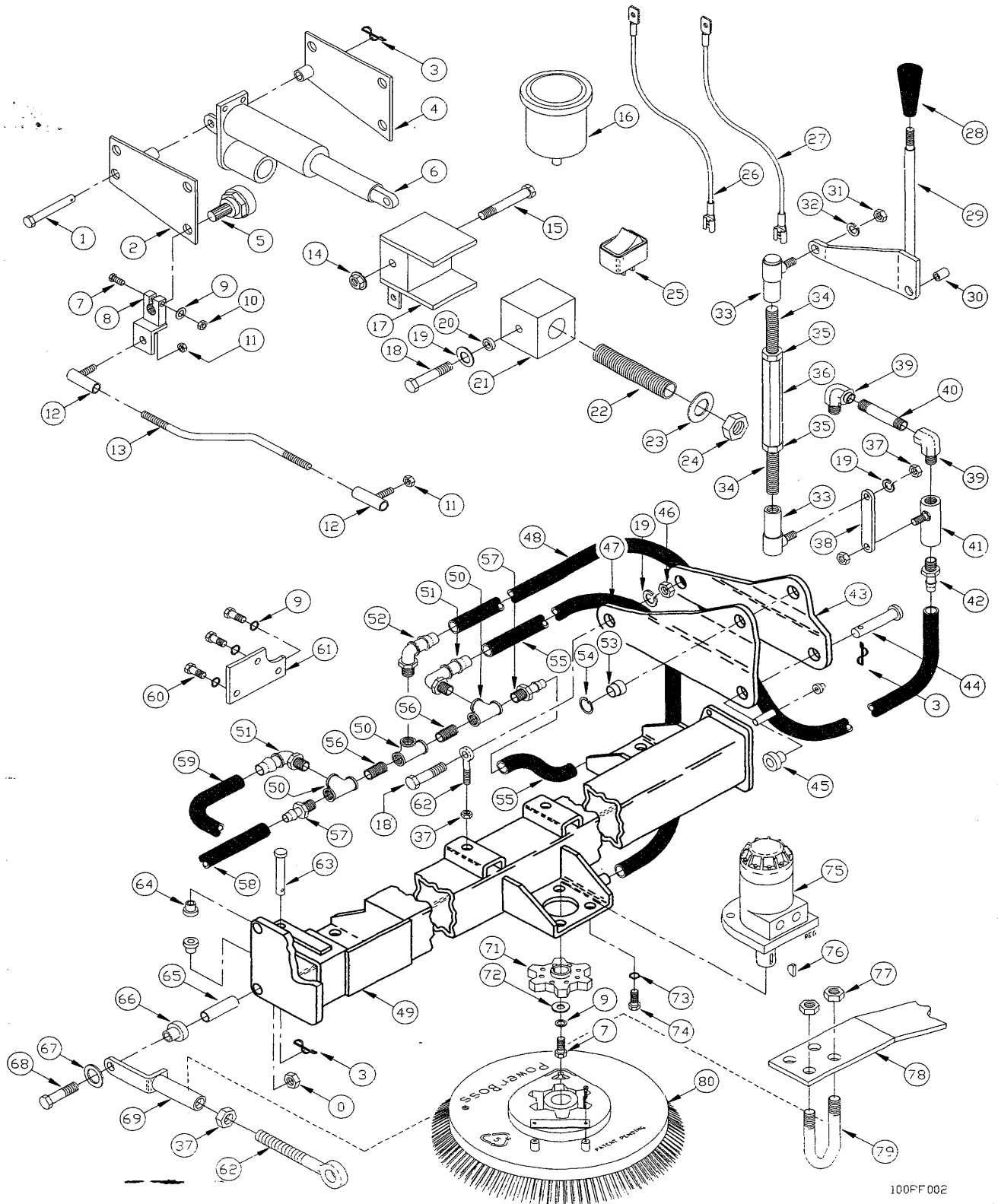
100PF002



EDGE SCRUB™ (CONT.)

| REF# | PART# | DESCRIPTION | QUANTITY |
|------|--------|----------------------------------|----------|
| 1 | 400302 | PIN - CLEVIS 1/2 X 5.00 ZP | |
| 2 | 303544 | ASSY - MOUNT ELEC CYL HS RH PNTD | |
| 3 | 400124 | PIN - COTTER 5/8 RUE - RING | |
| 4 | 303543 | ASSY - MOUNT ELEC CYL HS LH PNTD | |
| 5 | 303465 | ASSY - POTENTIOMETER ELEC SC HD | |
| 6 | 302775 | ACTUATOR - POWER SCRUB HEAD LIFT | |
| 7 | 400041 | SCR - HEX, 1/4- 20 X 0.88 ZP | |
| 8 | 303299 | WELDMENT - GAGE LIFT ARM PLTD | |
| 9 | 400103 | WASHER - LOCK 1/4 SPLIT ZP | |
| 10 | 400071 | NUT - HEX 1/4 - 20 ZP | |
| 11 | 400373 | NUT - HEX JAM 1/4 - 28 ES ZP | |
| 12 | 301199 | BALL JOINT - 1/4 - 28 | |
| 13 | 303296 | LINKAGE - SCRUB HEAD GAGE PLTD | |
| 14 | 400317 | NUT - HEX JAM 1/2 - 13 ES ZP | |
| 15 | 400020 | SCR - HEX, 1/2 - 13 X 2.00 ZP | |
| 16 | 303258 | GAGE - DOWNPRESSURE SC HEAD | |
| 17 | 303309 | ASSY - SCRUBHEAD PIN PNTD | |
| 18 | 400017 | SCR - HEX 5/8 - 11 X 1.75 ZP | |
| 19 | 400097 | WASHER - LOCK 5/8 SPLIT ZP | |
| 20 | 303224 | SPACER - ELEC SH LIFT PLTD | |
| 21 | 303227 | BLOCK - PRESSURE PLTD | |
| 22 | 303218 | SPRING - COMPRESSION 1.00 DIA | |
| 23 | 303225 | RETAINER - ELEC S-HEAD LIFT PLTD | |
| 24 | 400188 | NUT - HEX JAM 1/2 - 20 ES | |
| 25 | 303307 | SWITCH - 2 PDT | |
| 26 | 303467 | HARNESS - IGNITION | |
| 27 | 303308 | HARNESS - ELEC SCRUBHD LT | |
| 28 | 300558 | KNOB - TAPERED #145 BLACK | |
| 29 | 309909 | WELDMENT - SOLUTION LEVER HI CAP | |
| 30 | 302420 | SPACER - LEVER SOL VALVE PLTD | |
| 31 | 400070 | NUT - HEX 5/16 - 18 ZP | |
| 32 | 400102 | WASHER - LOCK 5/16 SPLIT ZP | |
| 33 | 300460 | BALL JOINT - 5/16 | |
| 34 | 301398 | ROD - SOL VALVE | |
| 35 | 400069 | NUT - HEX 5/16 - 24 ZP | |
| 36 | 303502 | STAND/OFF THREADED ADJUST LINK | |
| 37 | 400192 | NUT - HEX JAM 5/8 - 11 ZP | |
| 38 | 300027 | ARM - SOL VALVE PLTD | |
| 39 | 400238 | FTG - 90 EL 3/4 MPT - 3/4 FPT | |
| 40 | 400410 | FTG - NIPPLE BRASS 3/4 X 5.00 | |
| 41 | 300330 | VALVE - 2 WAY SOLUTION | |
| 42 | 300802 | FTG - ADAPTOR 3/4 MPT | |
| 43 | 303238 | ASSY - LIFT ARM SCRUB HD LH PNTD | |
| 44 | 400111 | PIN - CLEVIS 5/8 X 6.00 ZP | |

EDGE SCRUB™ (CONT.)



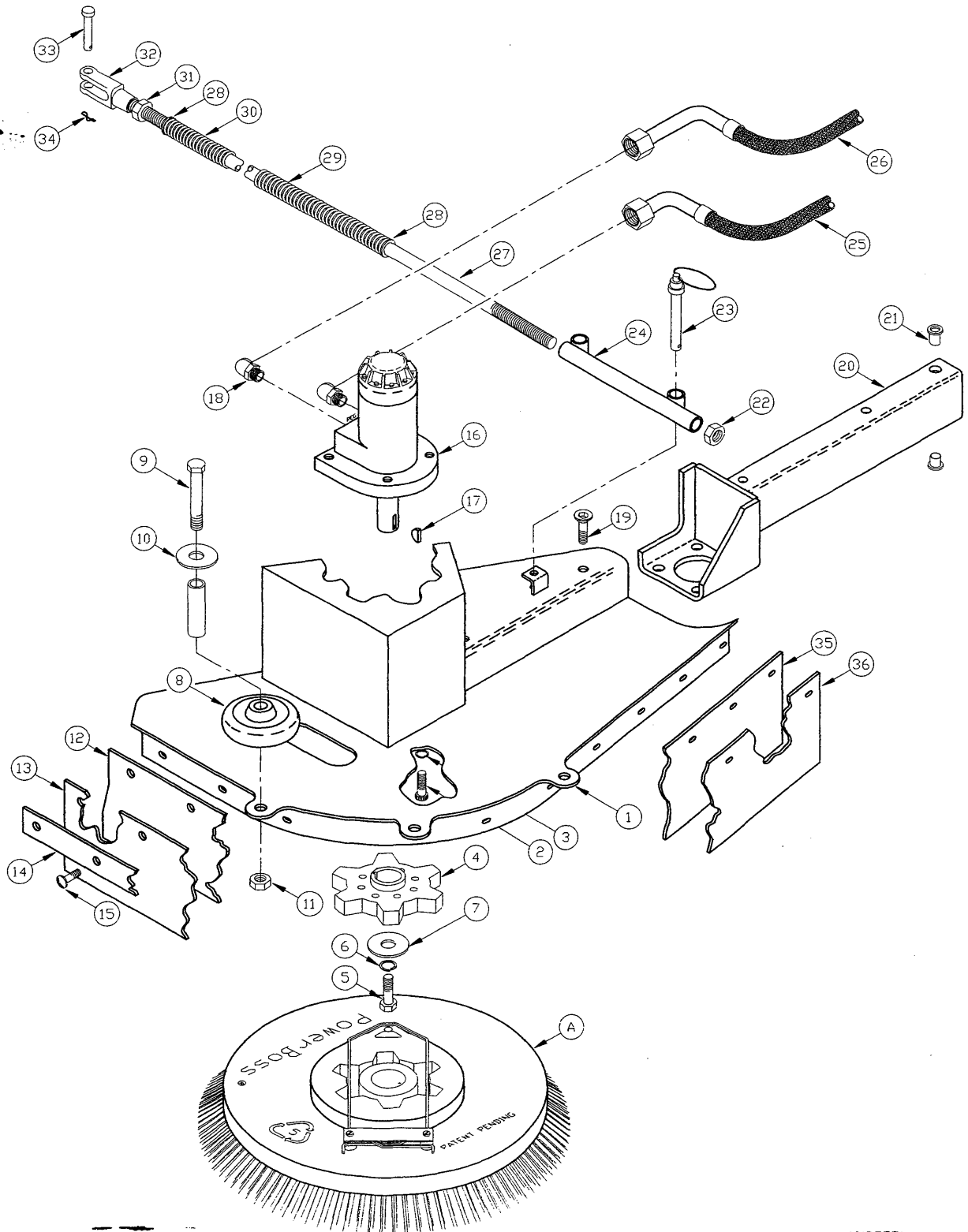
100PF002



EDGE SCRUB™ (CONT.)

| REF# | PART# | DESCRIPTION | QUANTITY |
|------|--------|-----------------------------------|----------|
| 45 | 300550 | BUSHING - FLANGED | |
| 46 | 400074 | NUT - HEX JAM 5/8 - 18 ZP | |
| 47 | 303239 | ASSY - LIFT ARM SCRUB HD RH PNTD | |
| 48 | 309077 | HOSE - SOL VALVE TO SOL TANK 82 | |
| 49 | 315334 | WELDMENT - SCRUBHEAD F/S | |
| 50 | 315769 | FTG - TEE 1/2 FPT BRASS | |
| 51 | 315535 | FTG - 90 DEG 1/2 ID X 1/2 MPT | |
| 52 | 315536 | FTG - 90 DEG 3/4 ID X 1/2 MPT | |
| 53 | 303219 | BEARING - SPHERICAL PLAIN | |
| 54 | 303217 | RING - RET INT .87 | |
| 55 | 315758 | HOSE - 5/8 OD X 1/2 ID X 14" LG | |
| 56 | 305281 | FTG - NIPPLE CLOSE 1/2 MPT | |
| 57 | 315534 | FTG - 1/2 ID TUBE X 1/2 MPT | |
| 58 | 315760 | HOSE - 5/8 OD X 1/2 ID X 25" LG | |
| 59 | 321350 | HOSE - 5/8 OD X 1/2 ID X 9" LONG | |
| 60 | 400149 | SCR - HEX 1/4 - 20 X 1.50 ZP | |
| 61 | 315757 | BAR - RETAINER FTG E/SC | |
| 62 | 300457 | BALL JOINT - .50 BORE | |
| 63 | 400751 | PIN - CLEVIS 1/2 X 4.00 ZP | |
| 64 | 300432 | BUSHING - FL - 52 - 4 | |
| 65 | 302411 | SLEEVE - LIFT ARM SPACER | |
| 66 | 300452 | BALL - PLASTIC | |
| 67 | 400087 | WASHER - FLAT 3/8 STANDARD ZP | |
| 68 | 400027 | SCR - HEX 3/8 - 16 X 1.75 ZP | |
| 69 | 301089 | ASSY - ARM LIFT FULL PNTD | |
| 70 | 400079 | NUT - HEX 3/8 - 16 ES ZP | |
| 71 | 312406 | HUB - SCRUB BRUSH DRIVE 1" I.D. | |
| 72 | 400668 | WASHER - FENDER 1/4 X 1.25 OD ZP | |
| 73 | 400101 | WASHER - LOCK 3/8 SPLIT ZP | |
| 74 | 400032 | SCR - HEX 3/8 - 16 X 0.75 ZP | |
| 75 | 301467 | MOTOR - HYD H-SERIES SC HD PNTD | |
| 76 | 302082 | KEY - HYD MOTOR CURB BRM | |
| 77 | 400392 | NUT - FLANGE LOCK 3/8 - 16 | |
| 78 | 315665 | BAR - SWAY EDGE SCRUB | |
| 79 | 400664 | U- BOLT - V BEND | |
| 80 | 313126 | BRUSH - SCRUB 16" PLAS NYLO-GRIT | 1 |
| | 313128 | BRUSH - SCRUB 16" PLAS STRATOGKIT | 1 |
| | 313132 | BRUSH - SCRUB 16" PLAS WIRE | 1 |
| | 313134 | BRUSH - SCRUB 16" PLAS BUTCHWIRE | 1 |
| | 313136 | BRUSH - SCRUB 16" PLASTIC NYLON | 1 |

EDGE SCRUB™ (CONT.)



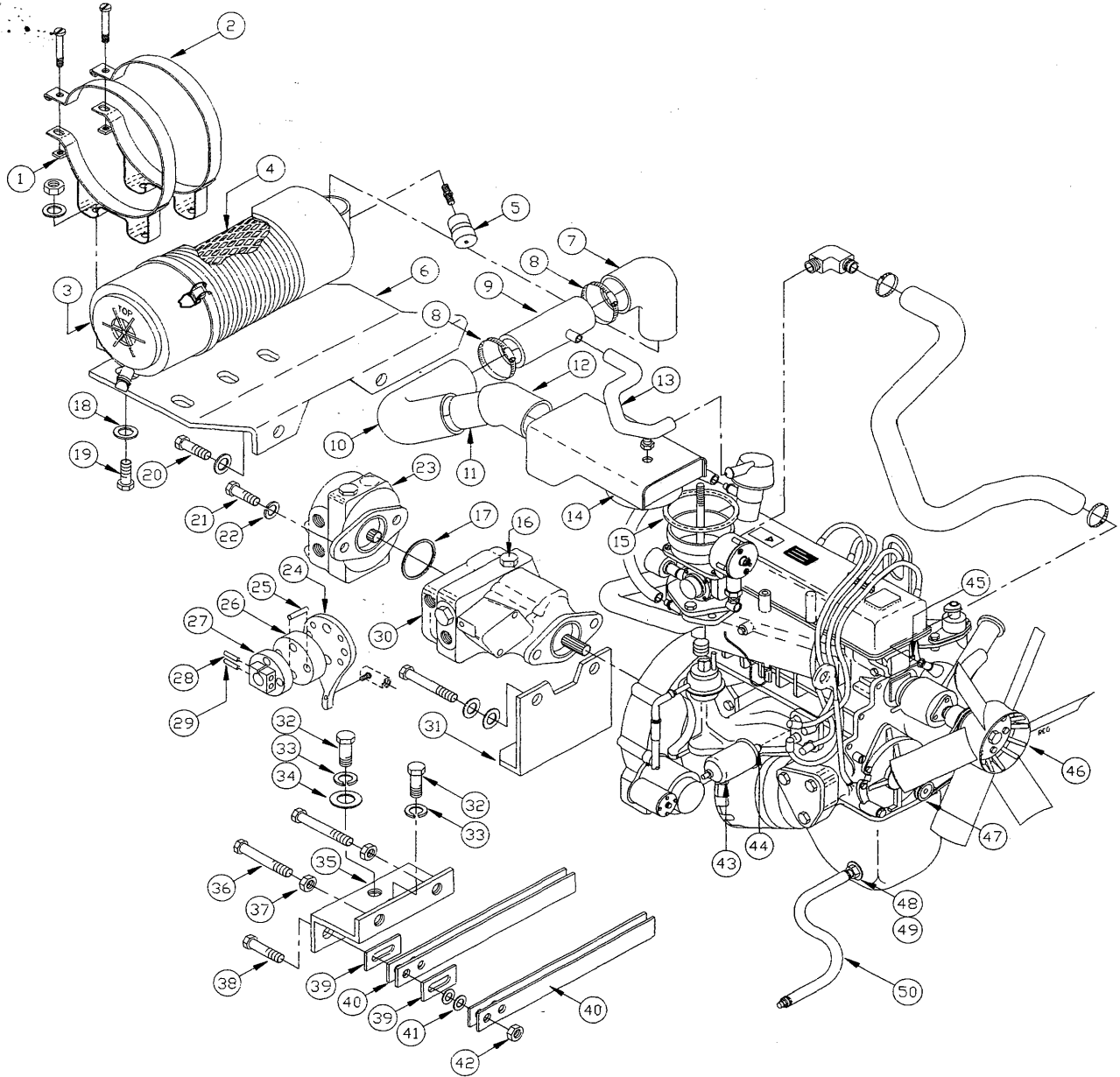
10:PF001



EDGE SCRUB™ (CONT.)

| REF# | PART# | DESCRIPTION | QUANTITY |
|------|--------|-------------------------------------|----------|
| 1 | 315705 | WELD - BRUSH GUARD E/SC | 1 |
| 2 | 400032 | SCR - HEX 3/8 - 16 X 0.75 ZP | 1 |
| 3 | 400101 | WASHER - LOCK 3/8 SPLIT ZP | 1 |
| 4 | 312406 | HUB - SCRUB BRUSH DRIVE 1" I.D. | 1 |
| 5 | 400041 | SCR - HEX 1/4 - 20 X 0.88 ZP | 1 |
| 6 | 400103 | WASHER - LOCK 1/4 SPLIT ZP | 1 |
| 7 | 400668 | WASHER - FENDER 1/4 X 1.25 OD ZP | 1 |
| 8 | 308158 | WHEEL - ROLLER 3" OD SQUEEGEE | 1 |
| 9 | 400311 | SCR - HEX 5/16 - 18 X 1.75 ZP F'THD | 1 |
| 10 | 400233 | WASHER - FENDER 5/16 1.00 OD | 1 |
| 11 | 400080 | NUT - HEX 5/16 -18 ES ZP | 1 |
| 12 | 315712 | SQUEEGEE - BRUSH GUARD | 1 |
| 13 | 315713 | SKIRT - BRUSH GUARD | 1 |
| 14 | 315711 | STRAP - BRUSH GUARD | 1 |
| 15 | 400665 | SCR - THM 5/16 - 18 X 1.50 ZP | 1 |
| 16 | 301467 | MOTOR - HYD H-SERIES SC HD PNTD | 1 |
| 17 | 302082 | KEY - HYD MOTOR CURB BRM | 1 |
| 18 | 400158 | FTG - 45 7/8 - 14 TO #8 | 1 |
| 19 | 400444 | SCR - FLT 3/8 - 16 X 1.00, SOC | 1 |
| 20 | 315329 | WELDMENT - PIVOT SCRUBHEAD | 1 |
| 21 | 300432 | BUSHING - FL - 52 - 4 | 1 |
| 22 | 400342 | NUT - HEX 3/8 - 24 ES ZP | 1 |
| 23 | 400126 | PIN - HITCH 1/2 X 1.50 ZP | 1 |
| 24 | 315668 | WELD - STAY ARM EDGE SCRUB | 1 |
| 25 | 315783 | HOSE - 1/2 AR 42. ST#8 90LG #8 | 1 |
| 26 | 315782 | HOSE - 1/2 AR 31. ST#8 90S #8 | 1 |
| 27 | 315842 | ROD - STAY ARM | 1 |
| 28 | 400087 | WASHER - FLAT 3/8 STANDARD ZP | 2 |
| 29 | 315794 | SPRING - EDGE SCRUB STAY ARM | 1 |
| 30 | 315751 | SPRING - STAY ARM EDGE SCRUB | 1 |
| 31 | 400067 | NUT - HEX 3/8 - 24 ZP | 1 |
| 32 | 301997 | PIN - ROT CYL OUTER PLTD | 1 |
| 33 | 400117 | PIN - CLEVIS 3/8 X 1 - 1/8 ZP | 1 |
| 34 | 400125 | PIN - COTTER 3/8 RUE - RING | 1 |
| 35 | 315912 | SQUEEGEE - BRUSH GUARD FRONT | 1 |
| 36 | 315911 | SKIRT - BRUSH GUARD FRONT | 1 |
| A | 313126 | BRUSH - SCRUB 16" PLAS NYLO-GRIT | 1 |
| | 313128 | BRUSH - SCRUB 16" PLAS STRATOGRIT | 1 |
| | 313132 | BRUSH - SCRUB 16" PLAS WIRE | 1 |
| | 313134 | BRUSH - SCRUB 16" PLAS BUTCHWIRE | 1 |
| | 313136 | BRUSH - SCRUB 16" PLASTIC NYLON | 1 |

ENGINE - FORD

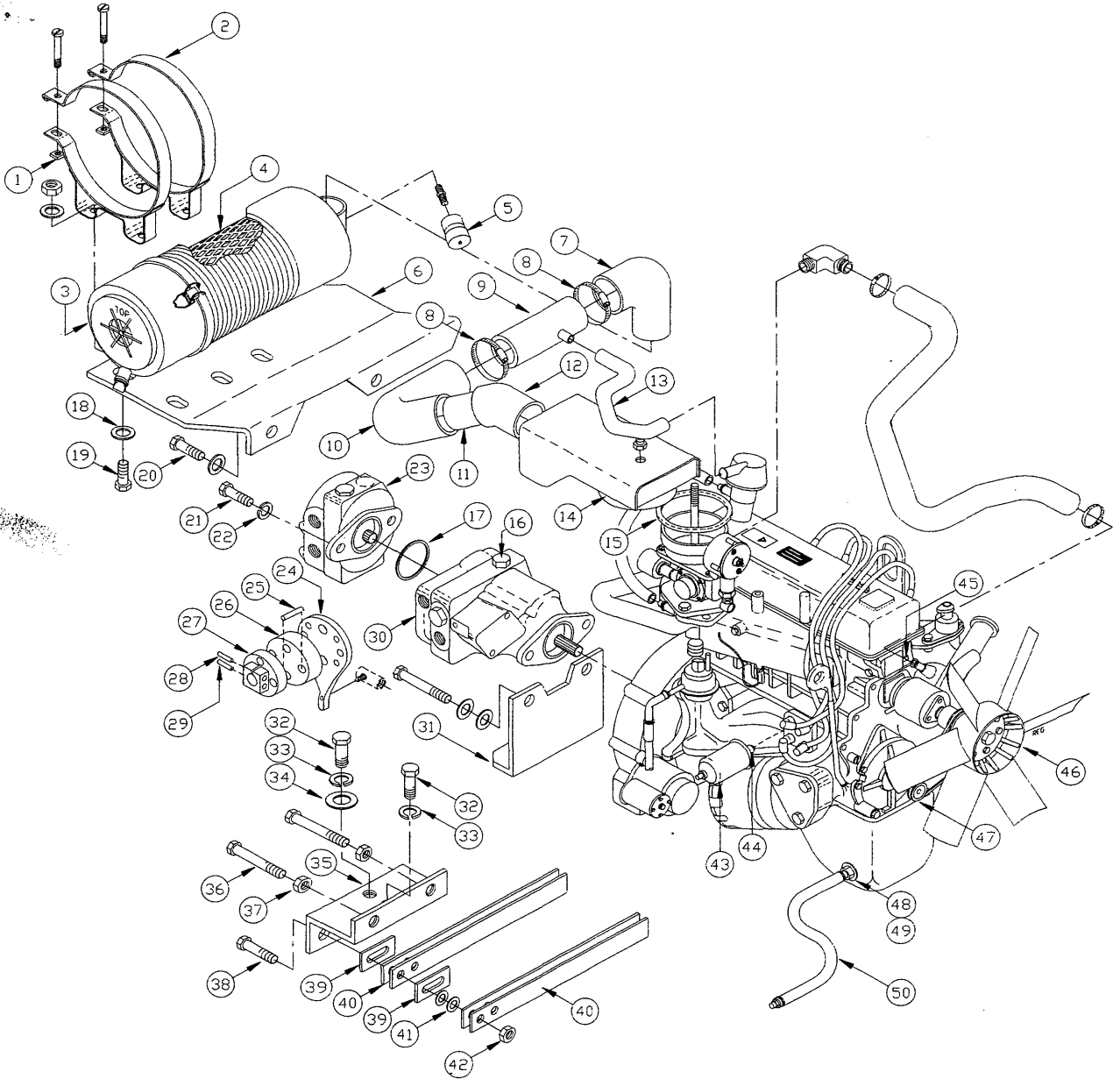


010PL001

ENGINE - FORD

| REF# | PART# | DESCRIPTION | QUANTITY |
|------|--------|--------------------------------------|----------|
| 1 | 400070 | NUT-HEX 5/16 - 18 ZP | 4 |
| 2 | 300459 | BAND-MTG AIR CLEANER PNTD BLAC | 2 |
| 3 | 317917 | AIR CLNR - RADIAL SEAL FPG STYLE | 1 |
| 4 | 321143 | ELEMENT - AIR CLNR / PLASTIC (SP) | 1 |
| 5 | 303991 | INDICATOR - AIR CLEANER KIT | 1 |
| 6 | 316227 | MNT- AIR CLEANER FORD ARMA | 1 |
| 7 | 303385 | ADAPTER - 90 EL RUBBER 3.50 X 2.50 | 1 |
| 8 | 303255 | CLAMP - HOSE 1 3/4 NOM. | 4 |
| 9 | 316230 | ASSY - TUBE INTAKE FORD ARMA | 1 |
| 11 | 304641 | TUBE - AIR INTAKE FORD 2.00 | |
| 12 | 304639 | ADAPTER - 45 EL RUBBER 2.00 ID | |
| 13 | 500139 | HOSE- 5/8 ID EEC - PCV | 1 |
| 14 | 315799 | WELD - AIR INTAKE FORD | |
| 15 | 302473 | O-RING - CARBURETOR | |
| 16 | 310054 | VALVE - TOW OPTION | 1 |
| 17 | 303711 | O-RING STATIC SEAL 3.239 ID | 1 |
| 18 | 400102 | WASHER - LOCK 5/16 SPLIT ZP | 10 |
| 19 | 400035 | SCR - HEX 5/16 - 18 X 1.00 ZP | 4 |
| 20 | 400611 | SCR - HHM 10 MM X 40 MM LG ZP | 2 |
| 21 | 400029 | SCR - HEX 3/8 - 16 X 1.25 ZP | 9 |
| 22 | 400101 | WASHER - LOCK 3/8 SPLIT ZP | 9 |
| 23 | 309706 | PUMP - AUX W/FLOW DIR GAS/LP | 1 |
| 24 | 307219 | PLT - DIRECTIONAL CONT PLTD SW/A | 1 |
| 25 | 400231 | SCR - HEX 5/16 - 18 X .20 ZP | 2 |
| 26 | 301507 | COUPLING - LORD DIR CNTRL | 1 |
| 27 | 301544 | ASSY - DISC FWD/REV PLTD | 1 |
| 28 | 400027 | SCR - HEX 3/8 - 16 X 1.75 ZP | 1 |
| 29 | 400173 | SCR - HEX 1/4 - 20 X 1.75 ZP | 1 |
| 30 | 303581 | PUMP - MAIN VD FS | 1 |
| 31 | 312231 | MNT - FWD/REV DSL SW/62 PLTD | 1 |
| 32 | 400036 | SCR - HEX, 5/16 - 18 X 0.75 ZP | 1 |
| 33 | 400319 | WASHER - LOCK 5/16 - SPLIT - SS | 1 |
| 34 | 400088 | WASHER - FLAT 5/16 STANDARD ZP | 1 |
| 35 | 302115 | BRKT - FWD/REV PLTD | 1 |
| 36 | 400228 | SCR - HEX 5/16 - 24 X 1.5 ZP FULL TH | 2 |
| 37 | 400069 | NUT - HEX 5/16 - 24 ZP | 2 |
| 38 | 400149 | SCR - HEX 1/4 - 20 X 1.50 ZP | 2 |
| 39 | 303918 | SPACER - FWD/REV BRKT PLTD | 2 |
| 40 | 300543 | SPRING - RETURN | 4 |
| 41 | 400089 | WASHER - FLAT 1/4 STANDARD ZP | 6 |
| 42 | 400081 | NUT - HEX 1/4 - 20 ES ZP | 10 |
| 43 | 300387 | SENDER - OIL PRESSURE | 1 |
| 44 | 304622 | FTG - REDUCER 1/4 MPT - 1/8 FPT | 1 |

ENGINE - FORD (CONT.)



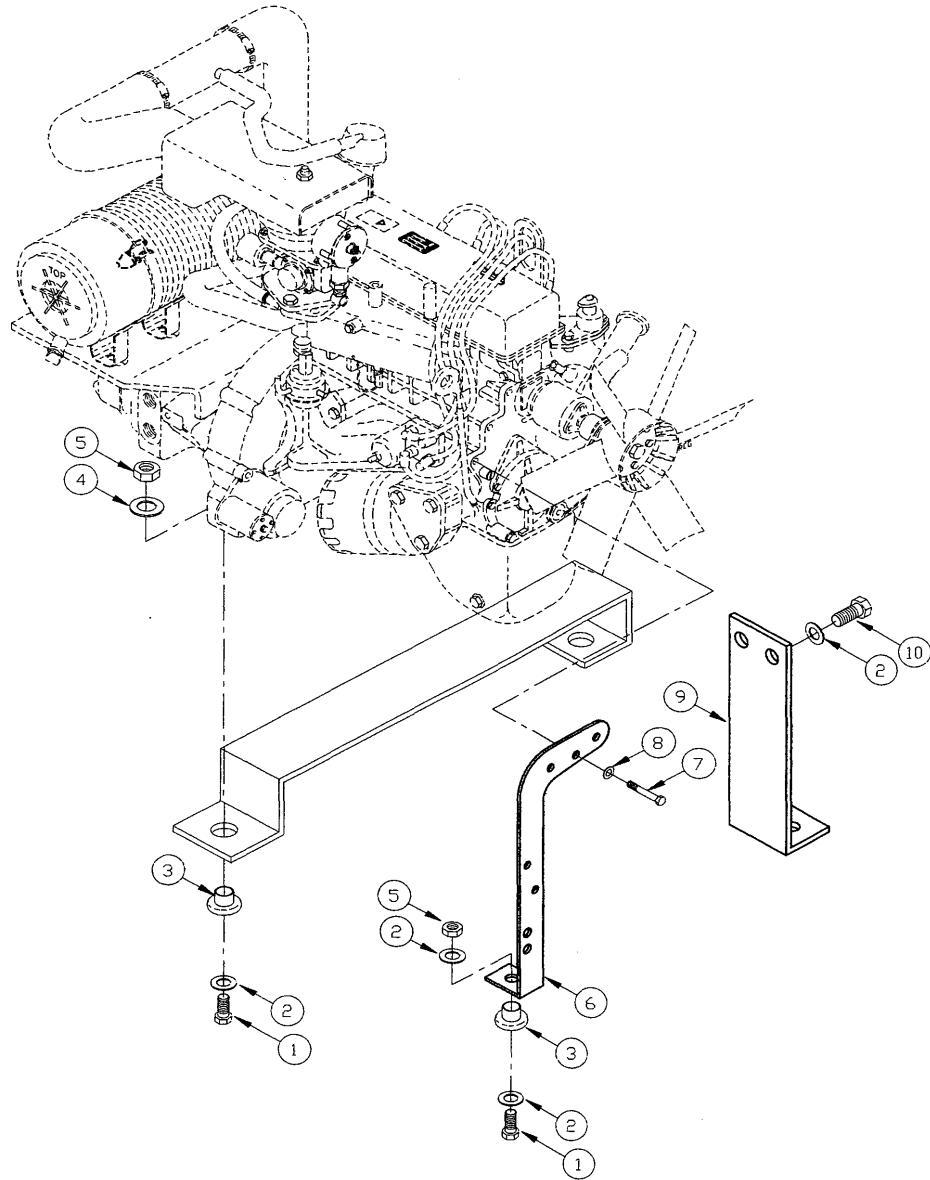
010PL001



ENGINE - FORD (CONT.)

| REF# | PART# | DESCRIPTION | QUANTITY |
|------|--------|-----------------------------------|----------|
| 45 | 300386 | SENDER - TEMP FORD | 1 |
| 46 | 340180 | FORD - FAN 6 - BLADE (SP) | 1 |
| 47 | 340101 | FORD - PULLEY CRK 2 - GROOVE (SP) | 1 |
| 48 | 303302 | FTG - REDUCER 3/8 FPT X 1/4 MPT | |
| 49 | 400190 | FTG - 90 EL 1/2 TUBE TO 3/8 MPT | |
| 50 | 500135 | HOSE - 1/2 ID EEC / PCV | 1 |

ENGINE - FORD (CONT.)



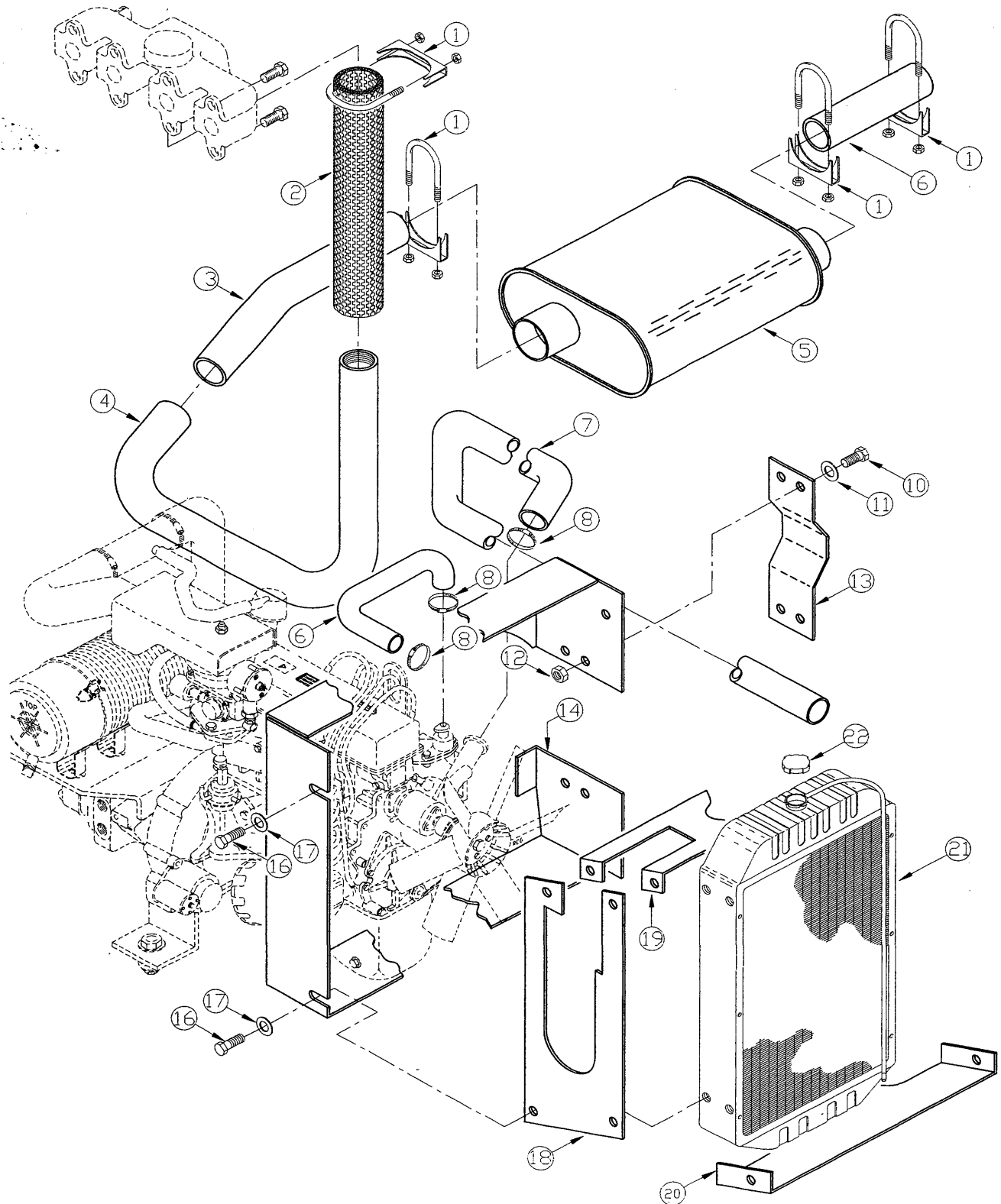
010PL002



ENGINE - FORD (CONT.)

| REF# | PART# | DESCRIPTION | QUANTITY |
|------|--------|-----------------------------------|----------|
| 1 | 400020 | SCR - HEX , 1/2 - 13 X 2.00 ZP | |
| 2 | 400098 | WASHER - LOCK 1/2 SPLIT ZP | |
| 3 | 300464 | MOUNT - ISOLATION | |
| 4 | 400091 | WASHER - FENDER 1/2 ZP | |
| 5 | 400065 | NUT - HEX 1/2 - 13 ZP | |
| 6 | 317515 | MNT - ENG FORD 1.3L RH MS/FS FRNT | |
| 7 | 400030 | SCR - HEX, 3/8 - 16 X 1.00 ZP | |
| 8 | 400101 | WASHER - LOCK 3/8 SPLIT ZP | |
| 9 | 317516 | MNT- ENG FRT FORD 1.3L MS/FS | |
| 10 | 400611 | SCR - HHM 10MM X 40 MM LG ZP | |

ENGINE - FORD (CONT.)



010PL03A

ENGINE - FORD (CONT.)

| REF# | PART# | DESCRIPTION | QUANTITY |
|------|--------|--|----------|
| 1 | 303118 | CLAMP - EXHAUST 1 5/8" | |
| 2 | 317611 | SLEEVE - MANIF FORD 1.3 DIS (82 MODELS) | |
| 2 | 317614 | SLEEVE - MANIF FORD 1.3 FS (90 MODELS) | |
| 3 | 317621 | TUBE - EXHAUST INTERMED FORD 1.3 (90 MODELS) | |
| 3 | 317673 | TUBE - EXHAUST INTERMED FORD 1.3 (82 MODELS) | |
| 4 | 316165 | TUBE - EXHAUST MANIFLD FORD ARMA | |
| 5 | 302914 | MUFFLER - SPARK ARRESTOR SC KIT (90 MODELS) | |
| 5 | 303921 | MUFFLER - 78 & 75 SERIES (82 MODELS) | |
| 6 | 316791 | TUBE - EXH TAIL PIPE TSS/82 E/SC | |
| 7 | 317672 | HOSE - RADIATOR LOWER 1.3L FORD | |
| 8 | 044112 | CLAMP - HOSE 2.50 MAX WORM | |
| 9 | 317658 | HOSE - RADIATOR UPPER FORD | |
| 10 | 400043 | SCR - HEX 1/4 - 20 X 0.50 ZP | |
| 11 | 400383 | WASHER - CONICAL SPRING 1/4 | |
| 12 | 400063 | NUT - FLANGE LOCK 1/4 - 20 ZP | |
| 13 | 316173 | STRAP - SHROUD RAD FORD ARMA | |
| 14 | 317667 | WELDMENT - SHROUD RAD FORD 1.3L | |
| 16 | 400207 | SCR - HEX, 5/16 - 18 X 0.50 ZP | |
| 17 | 400384 | WASHER - CONICAL SPRING 5/16 | |
| 18 | 305394 | BAFFLE - RAD - 4-C FRT HD TYA PNTD | |
| 19 | 305392 | BAFFLE - RAD - 4-C TOP HD TYA PNTD | |
| 20 | 305390 | BAFFLE - RAD - 4-C BTM TYA PNTD | |
| | 305395 | BAFFLE - RAD - 4-C REAR TYA PNTD (NOT SHOWN) | |
| 21 | 301995 | RADIATOR - HEAVY DUTY | |
| 22 | 300420 | CAP - RADIATOR | |
| | 316798 | BLANKET - MUFFLER 82 E/SC (NOT SHOWN) | |



ENGINE - FORD (SERVICE PARTS)

| REF# | PART# | DESCRIPTION |
|------|--------|--------------------------------------|
| | 340016 | FORD - ADAPTER |
| | 340200 | FORD - ADAPTER CARB SIDE DRAFT |
| | 340181 | FORD - ADAPTER FUEL PUMP |
| | 340190 | FORD - ADAPTER VAC LINE |
| | 340211 | FORD - ALTERNATOR 55 AMP |
| | 340219 | FORD - ARM ADJUSTING ALTERNATOR |
| | 340066 | FORD - ARM TENSIONER |
| | 340071 | FORD - ARM VALVE LEFT |
| | 340070 | FORD - ARM VALVE RIGHT |
| | 340228 | FORD - BELT WATER PUMP & ALTERNATOR |
| | 340160 | FORD - BELT WATER PUMP TO ALTERNATOR |
| | 340007 | FORD - BLOCK CYLINDER |
| | 340008 | FORD - BLOCK CYLINDER ASSEMBLY |
| | 340023 | FORD - BOLT CYLINDER HEAD |
| | 340156 | FORD - BOLT FAN TO SPACER |
| | 340046 | FORD - BOLT FT COV & W/P TO BLK |
| | 340047 | FORD - BOLT FT COV TO BLK M6 X 18 |
| | 340045 | FORD - BOLT FT COV TO BLK M6 X 50 |
| | 340220 | FORD - BOLT M10 X 25 ENG |
| | 340149 | FORD - BOLT M6 X 14 OIL PAN |
| | 340058 | FORD - BOLT M6 X 16 |
| | 340064 | FORD - BOLT M6 X 16 TEN TO BLK |
| | 340169 | FORD - BOLT M6 X 40 FT COV TO BLK |
| | 340063 | FORD - BOLT M6 X 55 TEN TO BLK |
| | 340202 | FORD - BOLT M6 X 95 CARB |
| | 340061 | FORD - BOLT M8 X 16 |
| | 340112 | FORD - BOLT M8 X 20 |
| | 340226 | FORD - BOLT M8 X 20 ALT |
| | 340163 | FORD - BOLT M8 X 20 THER |
| | 340225 | FORD - BOLT M8 X 25 ALT |
| | 340178 | FORD - BOLT M8 X 25 INTAKE |
| | 340221 | FORD - BOLT M8 X 40 ACT TO BRKT |
| | 340222 | FORD - BOLT M8 X 50 ALT TO BRKT |
| | 340018 | FORD - BOLT MAIN BRG CAP |
| | 340231 | FORD - BOLT MNT STARTER |
| | 340159 | FORD - BOLT MS X 20 FAN BD |
| | 340134 | FORD - BOLT OIL PAN |
| | 340102 | FORD - BOLT PULLEY TO CRANK |
| | 340075 | FORD - BOLT ROCK SUPPORT |
| | 340120 | FORD - BOLT TO RD CONN |
| | 340054 | FORD - BRG - CENT & RR STD ID .02 OD |
| | 340053 | FORD - BRG CENT & RR STD |
| | 340214 | FORD - BRG FRT ALTERNATOR |
| | 340051 | FORD - BRG FRT STD |



ENGINE - FORD (SERVICE PARTS CONT.)

| REF# | PART# | DESCRIPTION |
|------|--------|--|
| | 340052 | FORD - BRG FT STD ID .020 ID |
| | 340122 | FORD - BRG ROD CONN 001 |
| | 340123 | FORD - BRG ROD CONN 010 |
| | 340124 | FORD - BRG ROD CONN 020 |
| | 340125 | FORD - BRG ROD CONN 030 |
| | 340121 | FORD - BRG ROD CONN STD |
| | 340215 | FORD - BRG RR ALTERNATOR |
| | 340218 | FORD - BRKT MNT ALTERNATOR |
| | 340217 | FORD - BRUSH ALTERNATOR |
| | 340050 | FORD - CAMSHAFT |
| | 340038 | FORD - CAP OIL FILL |
| | 340174 | FORD - CAP WATER OUTLET NIPPLE |
| | 322523 | FORD - CARBURETOR - 1.3L DWN DRFT W/ACTUATOR |
| | 322564 | FORD - CARBURETOR - LPG DOWNDRAFT FORD |
| | 340196 | FORD - CARBURETOR ASSEMBLY |
| | 340049 | FORD - CHAIN ASSY TIMING |
| | 340244 | FORD - CLAMP FUEL HOSE |
| | 340175 | FORD - CLAMP HOSE |
| | 340172 | FORD - CLAMP HOSE 1.12 |
| | 340206 | FORD - CLAMP HOSE 1.12 |
| | 340161 | FORD - CONNECTOR WATER OUT |
| | 340235 | FORD - CONTROL ASSEMBLY IGNITION |
| | 322525 | FORD - CONTROLLER - 1.3L GAS ELEC GOV |
| | 322530 | FORD - CONTROLLER - 1.3L LP ELEC GOV |
| | 340033 | FORD - COVER ROCKER ARM |
| | 340015 | FORD - COVER SWITCH |
| | 340082 | FORD - CRANKSHAFT ASSEMBLY |
| | 340145 | FORD - DIPSTICK OIL LEVEL |
| | 340055 | FORD - DOWEL |
| | 340131 | FORD - DOWEL CLUTCH |
| | 340024 | FORD - DOWEL CYL TO BLOCK |
| | 340126 | FORD - DOWEL PIN CONNECTOR ROD |
| | 340230 | FORD - DRIVE ASSEMBLY |
| | 340203 | FORD - ELBOW 90 DEGREE |
| | 340180 | FORD - ELBOW 90 DEGREE 1/8-27 |
| | 340154 | FORD - FAN 6-BLADE |
| | 340179 | FORD - FILTER ASSEMBLY FUEL |
| | 340147 | FORD - FILTER OIL |
| | 340129 | FORD - FLYWHEEL & CLUTCH ASSEMBLY |
| | 340183 | FORD - FUEL PUMP |
| | 322527 | FORD - GASKET - CARB ADAPTOR TO INT MANIF |
| | 322526 | FORD - GASKET - CARB ADAPTOR TO CARB |

ENGINE - FORD (SERVICE PARTS CONT.)

| REF# | PART# | DESCRIPTION |
|------|--------|--|
| | 340201 | FORD - GASKET ADAPTER TO MANIFOLD |
| | 340197 | FORD - GASKET CARBURETOR |
| | 340022 | FORD - GASKET CYLINDER HEAD |
| | 340004 | FORD - GASKET FRONT COVER |
| | 340001 | FORD - GASKET FUEL PUMP |
| | 340000 | FORD - GASKET KIT ENGINE |
| | 340187 | FORD - GASKET MANIFOLD EXHAUST |
| | 340177 | FORD - GASKET MANIFOLD INTAKE |
| | 340153 | FORD - GASKET OIL PAN PLUG |
| | 340136 | FORD - GASKET OIL PP & O BLK |
| | 340005 | FORD - GASKET REAR RETAINER |
| | 340034 | FORD - GASKET ROCKER ARM COVER |
| | 340166 | FORD - GASKET THERMOSTAT |
| | 340162 | FORD - GASKET WATER OUT |
| | 340168 | FORD - GASKET WATER PUMP |
| | 340140 | FORD - GEAR OIL |
| | 340208 | FORD - GOVERNOR HOOF |
| | 340243 | FORD - HARNESS WIRE ASSEMBLY |
| | 340021 | FORD - HEAD ASSEMBLY CYLINDER |
| | 340205 | FORD - HOSE ADAPTER TO INTAKE MANIFOLD |
| | 340204 | FORD - HOSE ADAPTER TO WATER PUMP |
| | 340171 | FORD - HOSE BY-PASS |
| | 340182 | FORD - HOSE FUEL 5/16 ID X 18 |
| | 340041 | FORD - HOSE PCV |
| | 340132 | FORD - HOUSING ASSEMBLY |
| | 340233 | FORD - IGNITION ASSEMBLY |
| | 340039 | FORD - INSERT EX VLV ST |
| | 340040 | FORD - INSERT IN VLV ST |
| | 340107 | FORD - KEY WOODRUFF |
| | 340207 | FORD - KIT CARBURETOR REPAIR |
| | 340192 | FORD - KIT INTAKE MANIFOLD PLUG |
| | 340151 | FORD - KIT OIL PAN GASKET |
| | 340213 | FORD - KIT PULLEY INST |
| | 340167 | FORD - KIT WATER PUMP & PULLEY |
| | 340194 | FORD - LIFETIME EYE |
| | 340017 | FORD - LINER CYLINDER |
| | 340032 | FORD - LOCK VLV SPRING |
| | 340089 | FORD - MAIN BEARING CRK LOW 005-010 |
| | 340090 | FORD - MAIN BEARING CRK LOW 015-020 |
| | 340084 | FORD - MAIN BEARING CRK LOWER 005 |
| | 340085 | FORD - MAIN BEARING CRK LOWER 010 |
| | 340086 | FORD - MAIN BEARING CRK LOWER 015 |
| | 340087 | FORD - MAIN BEARING CRK LOWER 020 |
| | 340088 | FORD - MAIN BEARING CRK LOWER 030 |



ENGINE - FORD (SERVICE PARTS CONT.)

| REF# | PART# | DESCRIPTION |
|------|--------|--------------------------------------|
| | 340083 | FORD - MAIN BEARING CRK LOWER STD |
| | 340092 | FORD - MAIN BEARING CRK UP 005 |
| | 340097 | FORD - MAIN BEARING CRK UP 005-010 |
| | 340093 | FORD - MAIN BEARING CRK UP 010 |
| | 340094 | FORD - MAIN BEARING CRK UP 015 |
| | 340098 | FORD - MAIN BEARING CRK UP 015-020 |
| | 340095 | FORD - MAIN BEARING CRK UP 020 |
| | 340096 | FORD - MAIN BEARING CRK UP 030 |
| | 340091 | FORD - MAIN BEARING CRK UP STD |
| | 340186 | FORD - MANIFOLD EX DN OUT |
| | 340176 | FORD - MANIFOLD INTAKE |
| | 340223 | FORD - NUT M8 ALT TO BRACKET |
| | 340198 | FORD - NUT M8 CARB TO ADAPTER |
| | 340189 | FORD - NUT M8UB5 MAN TO CYL |
| | 340148 | FORD - OIL PAN W/ PLUG |
| | 340081 | FORD - PIN COTTER 3/32 X 7/8 |
| | 340141 | FORD - PIN DRIVE GEAR |
| | 340067 | FORD - PIN TENSIONER |
| | 340114 | FORD - PISTON PIN RING ASSEMBLY 020 |
| | 340115 | FORD - PISTON PIN RING ASSEMBLY 040 |
| | 340113 | FORD - PISTON PIN RING ASSEMBLY STD |
| | 340056 | FORD - PLATE THRUST |
| | 340012 | FORD - PLUG 1/4 NPT |
| | 340010 | FORD - PLUG 51MM (2.01) |
| | 340013 | FORD - PLUG BALL OIL 11MM |
| | 340009 | FORD - PLUG EX 1.639 DIA |
| | 340173 | FORD - PLUG FAN MOT STCH |
| | 340193 | FORD - PLUG MAN |
| | 340152 | FORD - PLUG OIL DRAIN |
| | 340144 | FORD - PLUG OIL PUMP |
| | 340078 | FORD - PLUG SHAFT END |
| | 340142 | FORD - PLUNGER OIL |
| | 340011 | FORD - PLUG 1/4 NPT |
| | 340212 | FORD - PULLEY |
| | 340101 | FORD - PULLEY CRK 2-GROOVE |
| | 340158 | FORD - PULLEY WATER PUMP |
| | 340133 | FORD - PUMP OIL GEAR |
| | 340109 | FORD - REAR RETAINER ASSEMBLY |
| | 340216 | FORD - REGULATOR ASSEMBLY ALTERNATOR |
| | 340031 | FORD - RETAINER |
| | 340057 | FORD - RETAINER CAMSHAFT |
| | 340060 | FORD - RETAINER SPROCKET |



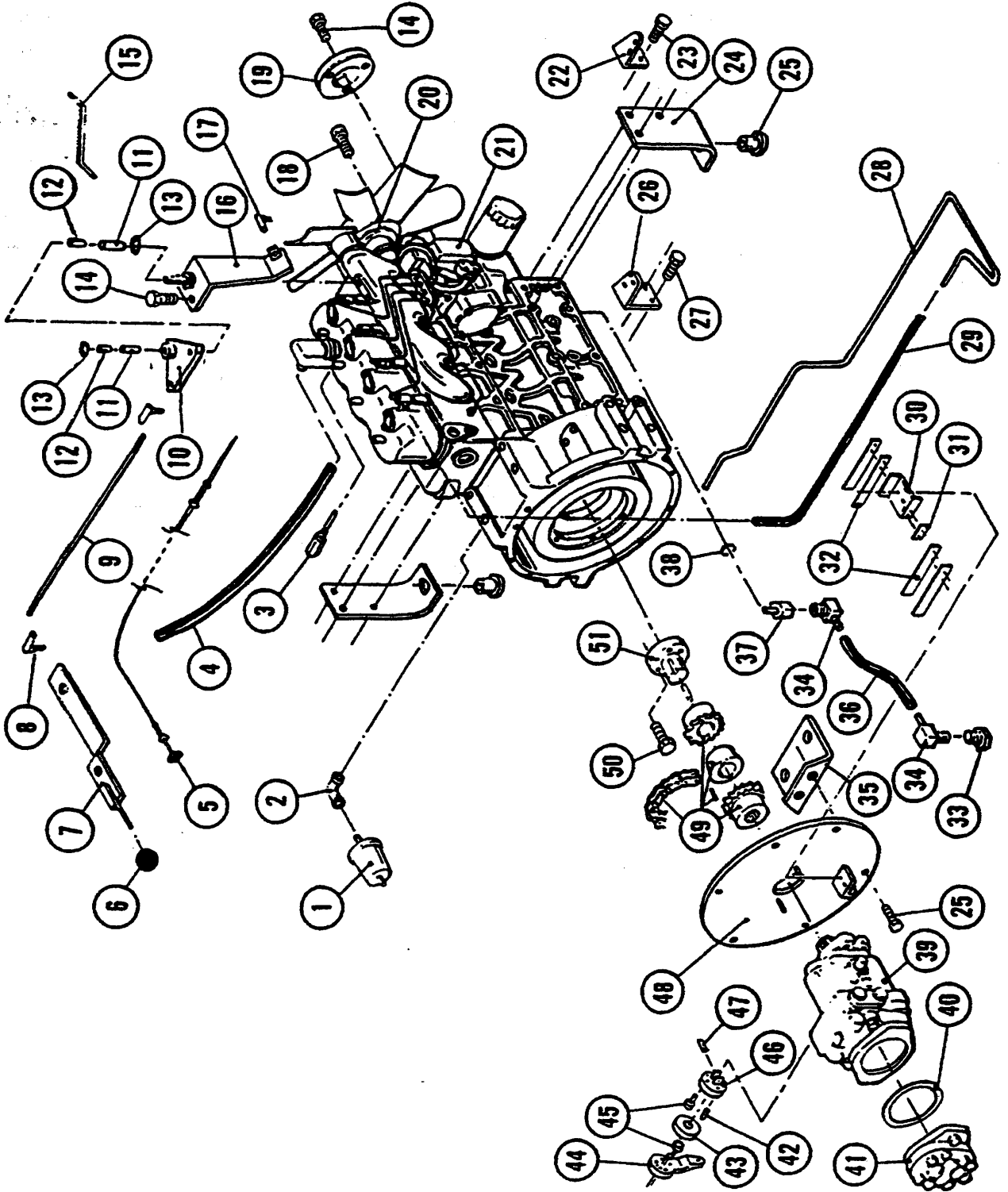
ENGINE - FORD (SERVICE PARTS CONT.)

| REF# | PART# | DESCRIPTION |
|------|--------|---------------------------------------|
| | 340130 | FORD - RING GEAR FLW 135TH |
| | 340117 | FORD - RING SET PISTON 020 |
| | 340118 | FORD - RING SET PISTON 040 |
| | 340116 | FORD - RING SET PISTON STD |
| | 340119 | FORD - ROD ASSEMBLY CONNECTOR |
| | 340069 | FORD - ROD VLV PUSH |
| | 340138 | FORD - ROTOR & SHAFT |
| | 340195 | FORD - SCREW & WASHER |
| | 340185 | FORD - SCREW & WASHER M8 X 30 |
| | 340020 | FORD - SCREW M6 X 14 |
| | 340234 | FORD - SCREW M8 X 14 IG |
| | 340035 | FORD - SCREW ROCKER COV HEAD |
| | 340072 | FORD - SCREW VLV ARM |
| | 340042 | FORD - SEAL ASSEMBLY CYLINDER FRONT |
| | 340139 | FORD - SEAL COVER PLATE OIL |
| | 340110 | FORD - SEAL CRANKSHAFT REAR |
| | 340043 | FORD - SEAL FRONT COVER |
| | 340104 | FORD - SEAL FRONT COVER |
| | 340030 | FORD - SEAL VLV STEM |
| | 340240 | FORD - SEPARATOR IGNITION WIRE |
| | 340241 | FORD - SEPARATOR IGNITION WIRE |
| | 340077 | FORD - SHAFT ASSEMBLY |
| | 340105 | FORD - SLINGER OIL |
| | 340157 | FORD - SPACER FAN |
| | 340210 | FORD - SPACER FOX GOVERNOR |
| | 340242 | FORD - SPARK PLUG |
| | 340076 | FORD - SPRING LOCATING |
| | 340143 | FORD - SPRING OIL |
| | 340029 | FORD - SPRING VALVE |
| | 340059 | FORD - SPROCKET CAMSHAFT |
| | 340106 | FORD - SPROCKET CRANKSHAFT |
| | 340229 | FORD - STARTER MOTOR |
| | 340155 | FORD - STRAP FAN |
| | 340188 | FORD - STUD M8 X 27.5 MAN TO CYL |
| | 340199 | FORD - STUD M8 X29.5 CARB TO ADP |
| | 340073 | FORD - SUPPORT ARM SHAFT |
| | 340014 | FORD - SWITCH OIL PRESSURE |
| | 340068 | FORD - TAPPET STD |
| | 340062 | FORD - TENSIONER |
| | 340165 | FORD - THERMOSTAT ASSEMBLY 160 DEGREE |
| | 340019 | FORD - TRANSDUCER IGNITION |
| | 340137 | FORD - TUBE ASSEMBLY OIL PUMP |
| | 340146 | FORD - TUBE OIL LEVEL DIPSTICK |

ENGINE - FORD (SERVICE PARTS CONT.)

| REF# | PART# | DESCRIPTION |
|------|--------|------------------------------------|
| | 340028 | FORD - VALVE EXHAUST .40MM |
| | 340027 | FORD - VALVE EXHAUST STD |
| | 340026 | FORD - VALVE INTAKE .40MM |
| | 340025 | FORD - VALVE INTAKE STD |
| | 340065 | FORD - WASHER 1/4 LOCK |
| | 340074 | FORD - WASHER B10 X 20 X 2.5 |
| | 340036 | FORD - WASHER FLAT 6MM |
| | 340080 | FORD - WASHER FLAT TYPE |
| | 340048 | FORD - WASHER LOCK M6 |
| | 340170 | FORD - WASHER M6 LOCK THER |
| | 340224 | FORD - WASHER M8 FLT ALT TO BRK |
| | 340111 | FORD - WASHER M8 LK |
| | 340227 | FORD - WASHER M8 LK ACT |
| | 340135 | FORD - WASHER M8 LOCK |
| | 340164 | FORD - WASHER M8 LOCK THER |
| | 340100 | FORD - WASHER MAIN BRG 015 |
| | 340099 | FORD - WASHER MAIN BRG STD |
| | 340103 | FORD - WASHER PULLEY TO CRANKSHAFT |
| | 340079 | FORD - WASHER SPRING |
| | 340236 | FORD - WIRE ASSEMBLY SPARK PLUG #1 |
| | 340237 | FORD - WIRE ASSEMBLY SPARK PLUG #2 |
| | 340238 | FORD - WIRE ASSEMBLY SPARK PLUG #3 |
| | 340239 | FORD - WIRE ASSEMBLY SPARK PLUG #4 |

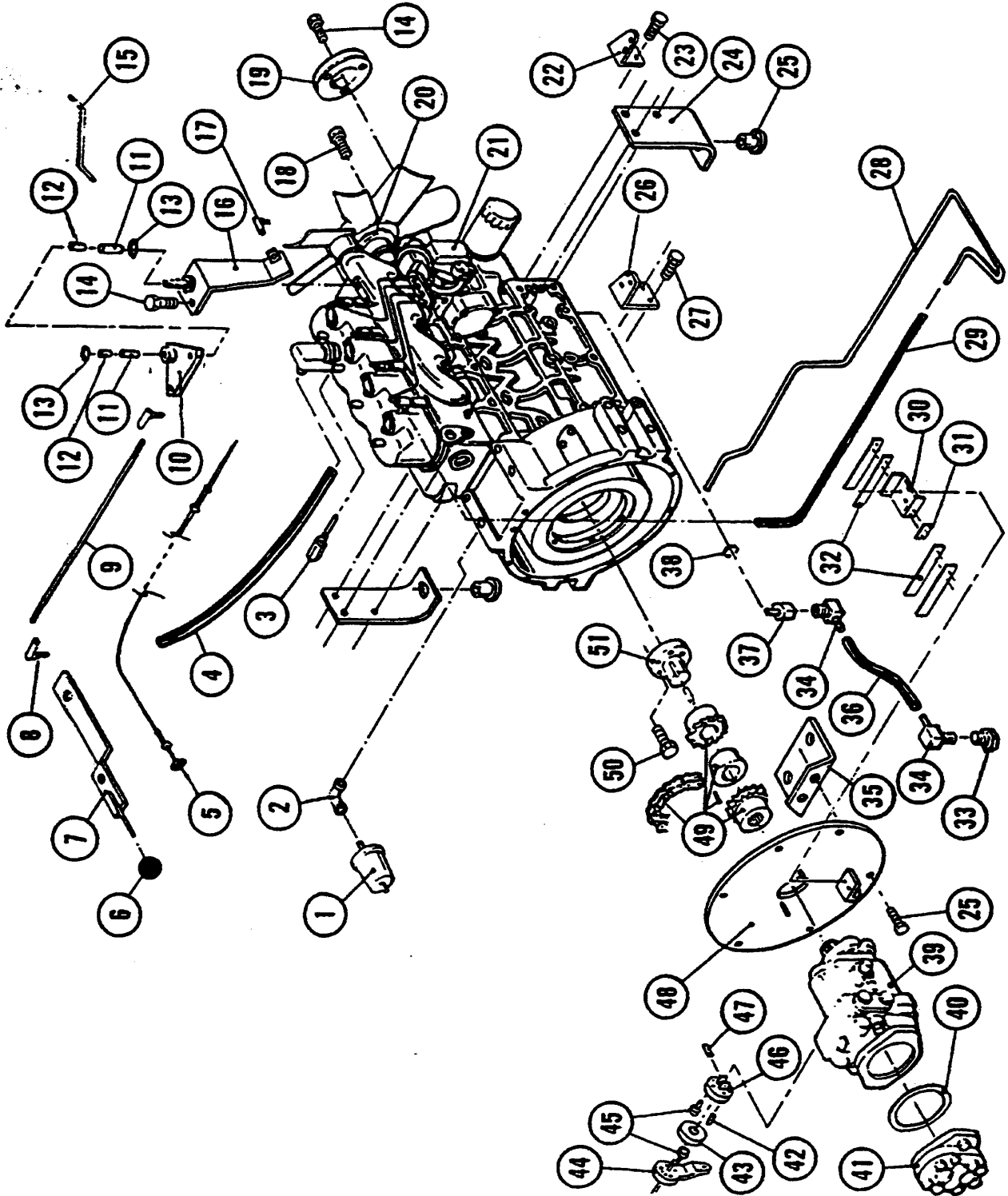
ENGINE - KUBOTA (3 CYLINDER)



ENGINE - KUBOTA (3 CYLINDER)

| REF# | 90 SER | 80 SER | DESCRIPTION | QUANTITY |
|------|--------|--------|--|----------|
| 1 | 300387 | | SENDER, OIL PRESSURE | |
| 2 | 301720 | | FITTING, 90 DEG. ELBOW, 1/8" NPT | |
| 3 | 302904 | | SENDER, TEMP DIESEL | |
| 4 | 303014 | | HOSE, CRANKCASE VENT | |
| 5 | 301427 | | CABLE, IMP & STOP DIESEL | |
| 6 | 300563 | | KNOB, BALL, 1" DIA | |
| 7 | 302846 | | LEVER ASSEMBLY, THROTTLE | |
| 8 | 301199 | | JOINT ASSEMBLY, BALL, 1/4 - 28 | |
| 9 | 302790 | | ROD, THROTTLE, LONG | |
| 10 | 302780 | | PIVOT ASSEMBLY, BELLCRANK | |
| 11 | 300430 | | BUSHING, SELF-LUBRICATING, .499 I.D. x .594 O.D. | |
| 12 | 300339 | | SLEEVE | |
| 13 | 400178 | | BEARING, FIBERGLIDE, .531 I.D. x 1.00 O.D. | |
| 14 | 400292 | | SCREW, HHM, 8MM x 1.25P x 50MM | |
| 15 | 302791 | | ROD, THROTTLE, SHORT | |
| 16 | 302783 | | MOUNT ASSEMBLY, BELLCRANK | |
| 17 | 301459 | | JOINT ASSEMBLY, BALL, 10-32 | |
| 18 | 400290 | | SCREW, HHM, 6MM x 1.00P x 20MM | |
| 19 | 302801 | | PULLEY, ENGINE | |
| 20 | 302906 | | FAN, SPACER | |
| 21 | 304907 | | ENGINE, DIESEL KUBOTA | |
| 22 | 305882 | | MOUNT, FUEL FILTER | |
| 23 | 400402 | | SCREW, HHM, 12MM x 1.25P x 40MM | |
| 24 | 301885 | | MOUNT, FRONT ENGINE | |
| 25 | 300464 | | MOUNT, ISOLATION | |
| 26 | 305883 | | MOUNT, HYDRAULIC OIL FILTER | |
| 27 | 400296 | | SCREW, HHM, 12MM x 1.25P x 32MM | |
| 28 | 303006 | | TUBE, FUEL RETURN LINE | |
| 29 | 303008 | | HOSE, FUEL RETURN LINE | |
| 30 | 302115 | | BRACKET, FWD/REV | |
| 31 | 303918 | | SPACER, BRACKET | |
| 32 | 300543 | | SPRING, RETURN | |
| 33 | 400194 | | FITTING, 3/8" PIPE PLUG | |
| 34 | 400190 | | FITTING, 90 DEG. ELBOW, 1/2" TO 3/8" NPT | |
| 35 | 301883 | | MOUNT, F/W ENGINE | |
| 36 | 303013 | | HOSE, OIL DRAIN | |
| 37 | 305251 | | FITTING, OIL PAN DRAIN | |
| 38 | 305252 | | WASHER | |
| 39 | 303581 | | PUMP, MAIN VD | |
| 40 | 303711 | | O-RING, STATIC SEAL | |
| 41 | 300482 | | PUMP, AUX. | |
| 42 | 300339 | | SLEEVE | |

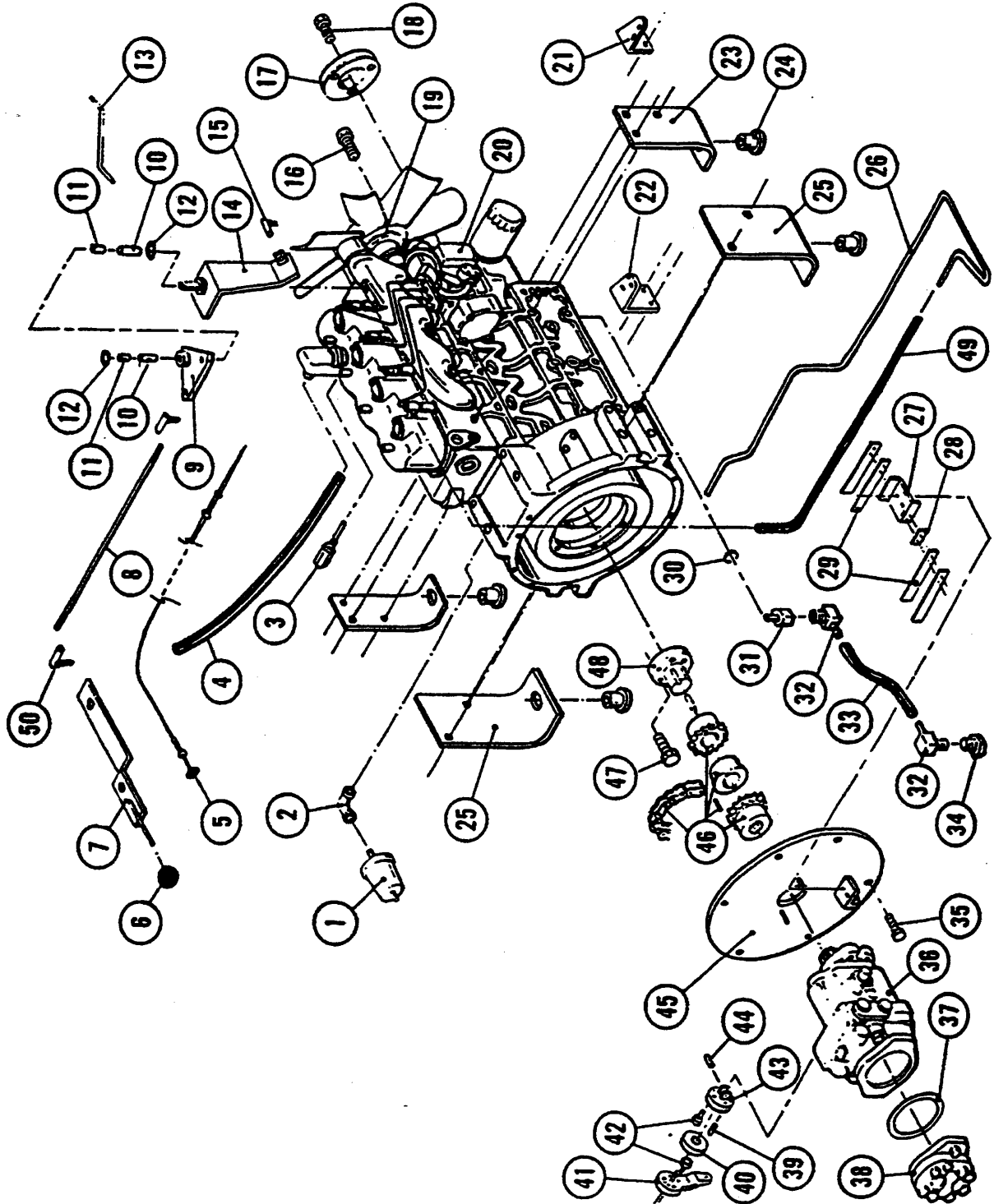
ENGINE - KUBOTA (3 CYLINDER)



ENGINE - KUBOTA (3 CYLINDER)

| REF# | 90 SER | 80 SER | DESCRIPTION | QUANTITY |
|------|--------|--------|---------------------------------|----------|
| 43 | 301507 | | COUPLING | |
| 44 | 301542 | | ARM, FWD/REV | |
| 45 | 300526 | | BUMPER, RUBBER | |
| 46 | 301544 | | DISC ASSEMBLY, FWD/REV | |
| 47 | 400173 | | SCREW, HHM, 1/4 - 20 x 1.75 | |
| 48 | 305511 | | PLATE ASSEMBLY, PUMP MOUNTING | |
| 49 | 302655 | | SPROCKET ASSEMBLY, DRIVE | |
| 50 | 400295 | | SCREW, HHM, 12MM x 1.25P x 50MM | |
| 51 | 302799 | | ADAPTER, PUMP DRIVE | |

ENGINE - KUBOTA (4 CYLINDER)

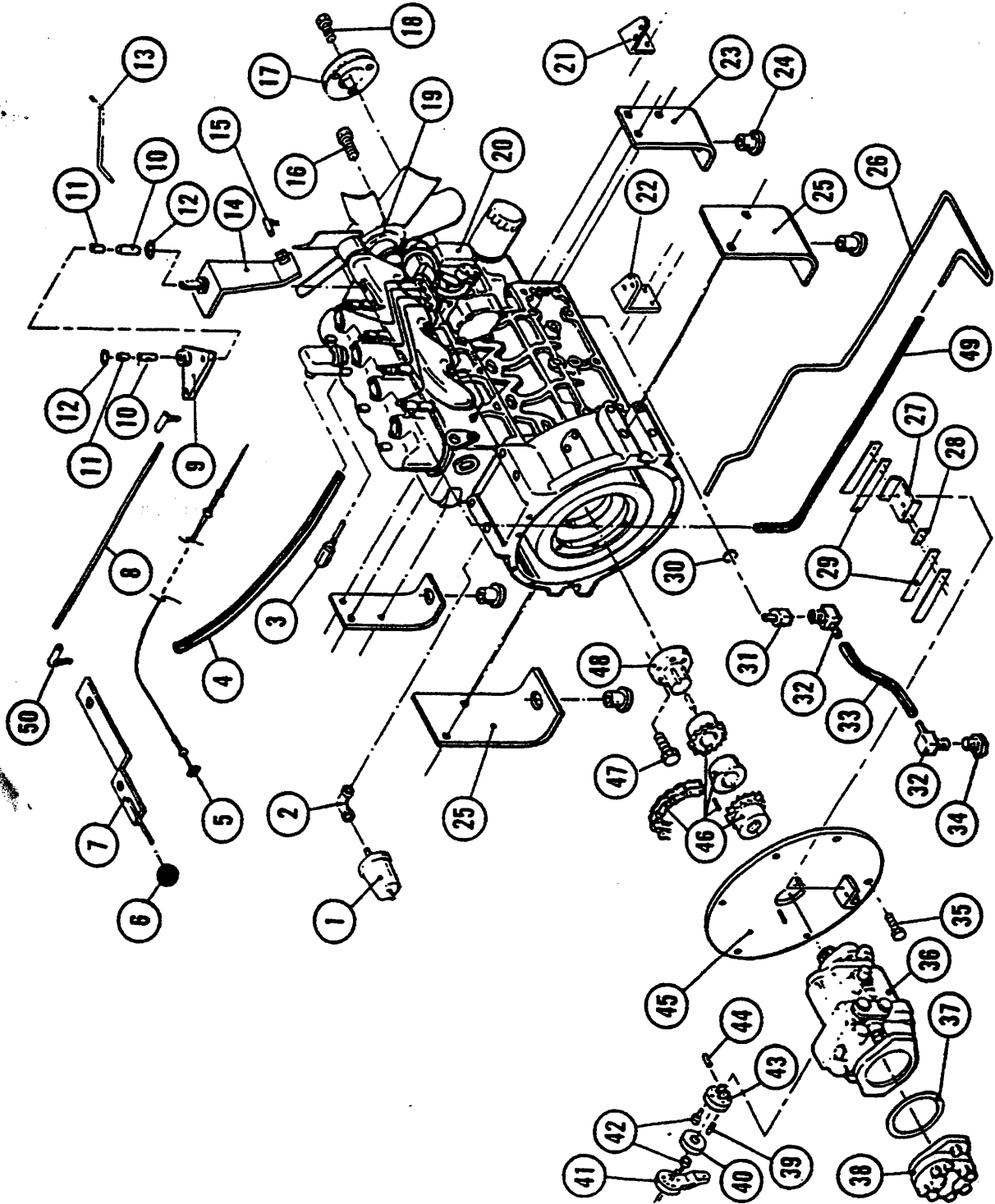




ENGINE - KUBOTA (4 CYLINDER)

| REF# | 90 SER | 80 SER | DESCRIPTION | QUANTITY |
|------|--------|--------|--|----------|
| 1 | 300387 | | SENDER, OIL PRESSURE | |
| 2 | 301720 | | FITTING, 90 DEG. ELBOW, 1/8" NPT | |
| 3 | 302904 | | SENDER, TEMP DIESEL | |
| 4 | 303014 | | HOSE, CRANKCASE VENT | |
| 5 | 301427 | | CABLE, IMP & STOP DIESEL | |
| 6 | 300563 | | KNOB, BALL, 1" DIA | |
| 7 | 302846 | | LEVER ASSEMBLY, THROTTLE | |
| 8 | 302790 | | ROD, THROTTLE, LONG | |
| 9 | 302780 | | PIVOT ASSEMBLY, BELLCRANK | |
| 10 | 300430 | | BUSHING, SELF-LUBRICATING, .499 I.D. x .594 O.D. | |
| 11 | 300339 | | SLEEVE | |
| 12 | 400178 | | BEARING, FIBERGLIDE, .531 I.D. x 1.00 O.D. | |
| 13 | 302791 | | ROD, THROTTLE, SHORT | |
| 14 | 302783 | | MOUNT ASSEMBLY, BELLCRANK | |
| 15 | 301459 | | JOINT ASSEMBLY, BALL, 10-32 | |
| 16 | 400290 | | SCREW, HHM, 6MM x 1.00P x 20MM | |
| 17 | 302801 | | PULLEY, ENGINE | |
| 18 | 400292 | | SCREW, HHM, 8MM x 1.25P x 50MM | |
| 19 | 302906 | | FAN, SPACER | |
| 20 | 300439 | | ENGINE, DIESEL KUBOTA | |
| 21 | 305882 | | MOUNT, FUEL FILTER | |
| 22 | 305883 | | MOUNT, HYDRAULIC OIL FILTER | |
| 23 | 301885 | | MOUNT, FRONT ENGINE | |
| 24 | 300464 | | MOUNT, ISOLATION | |
| 25 | 301883 | | MOUNT, F/W ENGINE | |
| 26 | 303006 | | TUBE, FUEL RETURN LINE | |
| 27 | 302115 | | BRACKET, FWD/REV | |
| 28 | 303918 | | SPACER, BRACKET | |
| 29 | 300543 | | SPRING, RETURN | |
| 30 | 305252 | | WASHER | |
| 31 | 305251 | | FITTING, OIL PAN DRAIN | |
| 32 | 400190 | | FITTING, 90 DEG. ELBOW, 1/2" TO 3/8" NPT | |
| 33 | 303013 | | HOSE, OIL DRAIN | |
| 34 | 400194 | | FITTING, 3/8" PIPE PLUG | |
| 35 | 400296 | | SCREW, HHM, 12MM x 1.25P x 32MM | |
| 36 | 303581 | | PUMP, MAIN VD | |
| 37 | 303711 | | O-RING, STATIC SEAL | |
| 38 | 300482 | | PUMP, AUX. | |
| 39 | 300339 | | SLEEVE | |
| 40 | 301507 | | COUPLING | |
| 41 | 301542 | | ARM, FWD/REV | |
| 42 | 300526 | | BUMPER, RUBBER | |

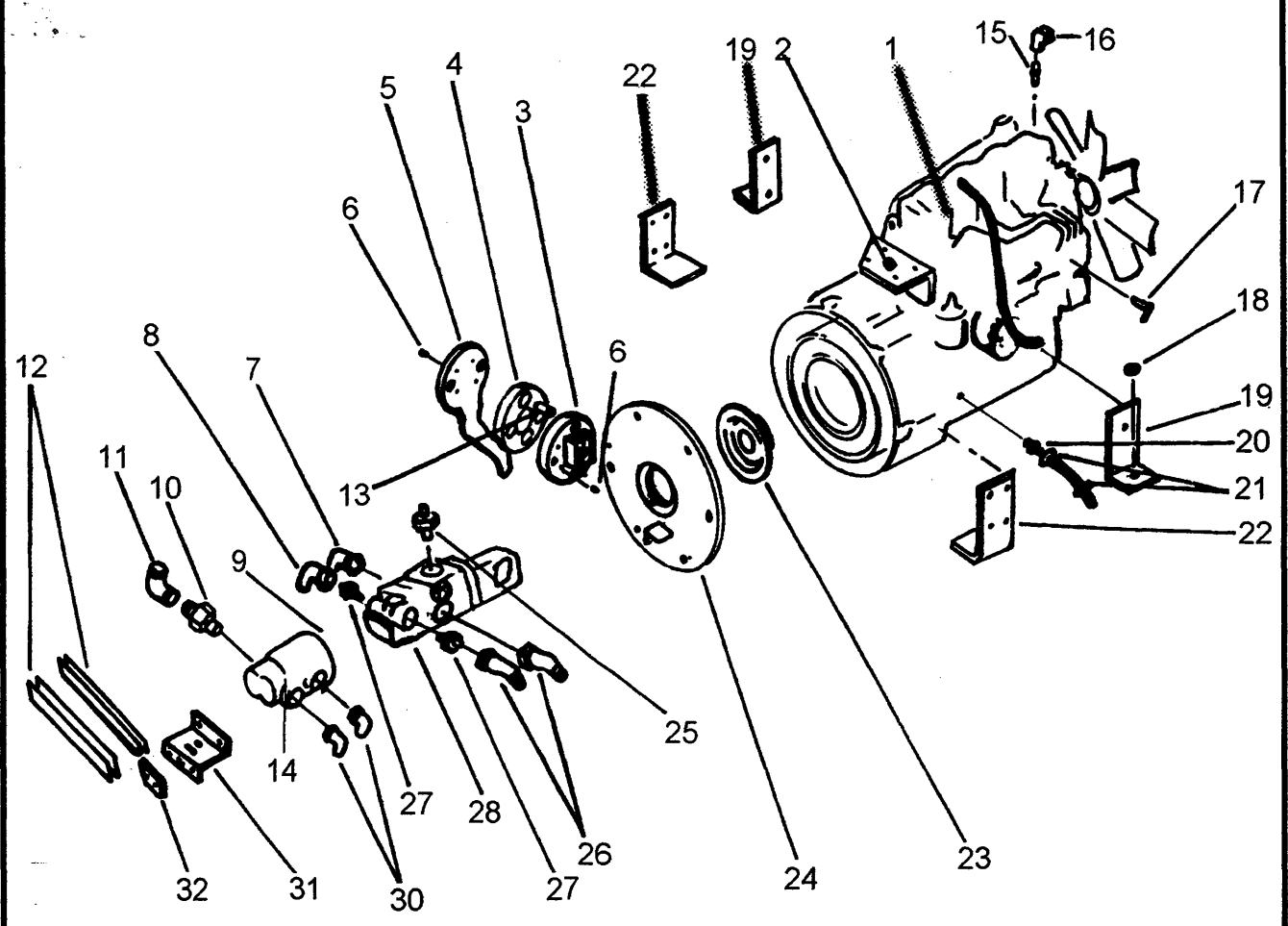
ENGINE - KUBOTA (4 CYLINDER)



ENGINE - KUBOTA (4 CYLINDER)

| REF# | 90 SER | 80 SER | DESCRIPTION | QUANTITY |
|------|--------|--------|---------------------------------|----------|
| 43 | 301544 | | DISC ASSEMBLY, FWD/REV | |
| 44 | 400173 | | SCREW, HHM, 1/4 - 20 x 1.75 | |
| 45 | 301134 | | PLATE ASSEMBLY, PUMP MOUNTING | |
| 46 | 302655 | | SPROCKET ASSEMBLY, DRIVE | |
| 47 | 400295 | | SCREW, HHM, 12MM x 1.25P x 50MM | |
| 48 | 302799 | | ADAPTER, PUMP DRIVE | |
| 49 | 303008 | | HOSE, FUEL RETURN LINE | |
| 50 | 301199 | | JOINT ASSEMBLY, BALL, 1/4 - 28 | |

ENGINE - PERKINS (DIESEL - 104-19)

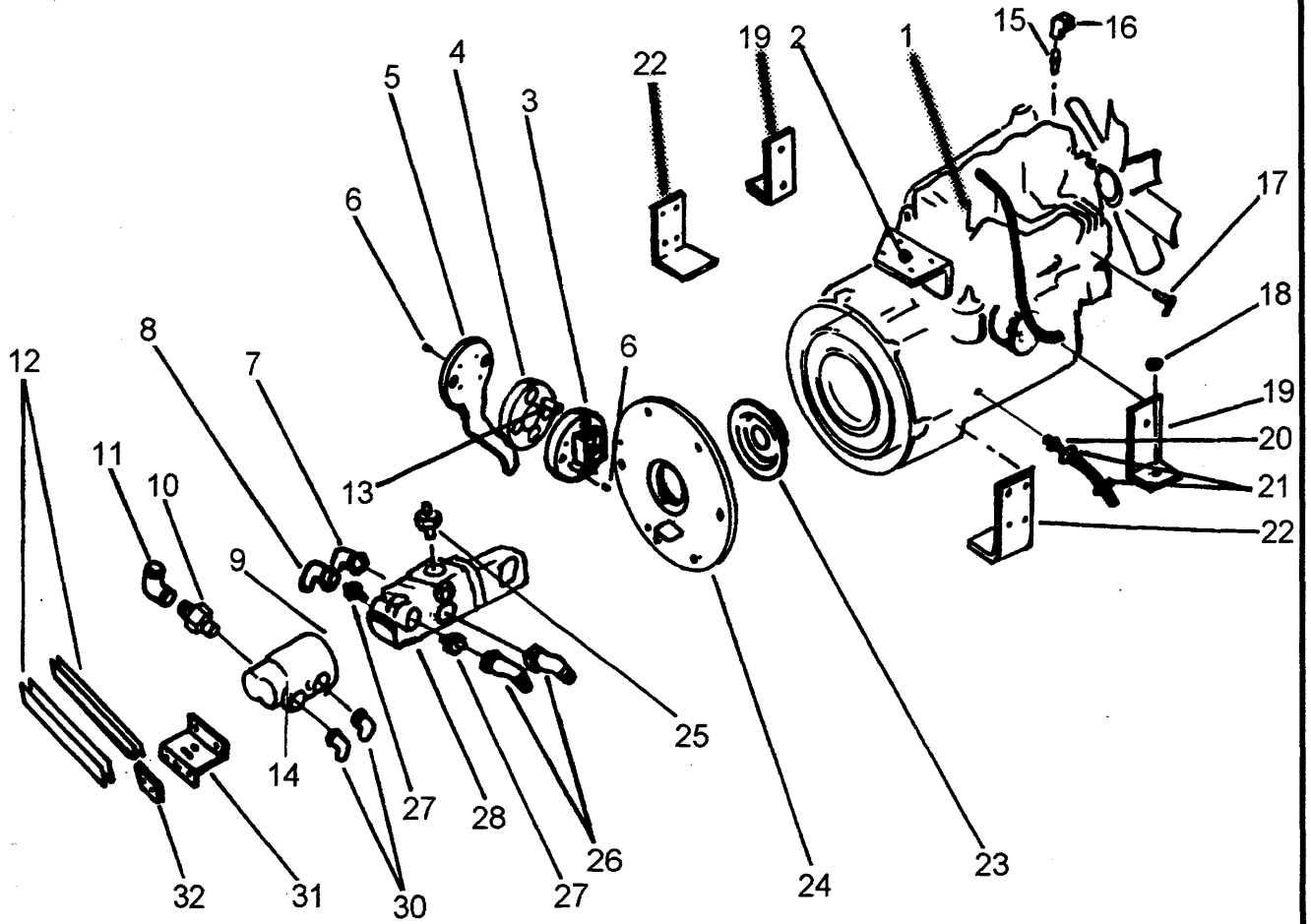




ENGINE -PERKINS (DIESEL 104-19) (90 ONLY)

| REF# | PART# | DESCRIPTION | QUANTITY |
|------|--------|--|----------|
| 1 | 316455 | ENGINE - PERKINS DIESEL 104-19 IDI | 1 |
| 2 | 313265 | MOUNT - AIR CLEANER PERK 104-19 | 1 |
| 3 | 301544 | ASSY - DISC FWD/REV PLTD | 1 |
| 4 | 301507 | COUPLING - LORD DIR CNTRL | 1 |
| 5 | 301542 | ARM - FWD/REV PLTD | 1 |
| 6 | 300526 | BUMPER - RUBBER 1/4 ID X 1/8 THK | 8 |
| 7 | 400153 | FTG - 90 9/16-18 TO #6 | 1 |
| 8 | 400154 | FTG - 90 3/4-16 TO #8 | 1 |
| 9 | 303711 | O-RING STATIC SEAL 3.239 ID | 1 |
| 10 | 306820 | FTG - REDUCER #20 TO #16 ARMA | 1 |
| 11 | 400156 | FTG - 90 1 5/16-12 TO #16 | 1 |
| 12 | 300543 | SPRING - RETURN | 4 |
| 13 | 300339 | SLEEVE - SQ & FWD/REV | 4 |
| 14 | 306743 | PUMP - HYD IMPELLER MAIN/AUX | 1 |
| 15 | 305640 | FTG - NIPPLE 1/8 BPT - 1/8 NPT BRASS | 1 |
| 16 | 301720 | FTG - 90 EL 1/8 FPT | 1 |
| 17 | 301459 | BALL JOINT - #10-32 ZP | 1 |
| 18 | 300464 | MOUNT - ISOLATION | 4 |
| 19 | 313258 | MOUNT - ENG FRONT PERKINS 104-19 | 2 |
| 20 | 303961 | FTG - OIL PAN DRAIN KUBOTA PLTD | 1 |
| 21 | 302144 | CLAMP - HOSE 1/2 NOM | 2 |
| 22 | 313261 | MOUNT - ENGINE REAR PERK 104-19 | 2 |
| 23 | 305320 | COUPLING - PUMP DRIVE TOOTA MS | 1 |
| 24 | 301134 | ASSY - PUMP MTG PLATE KBA PNTD | 1 |
| 25 | 310054 | VALVE - TOW OPTION | 1 |
| 26 | 400157 | FTG - 45 3/4-16 TO #8 | 2 |
| 27 | 400167 | FTG - ADAPTER 1 1/6-12 EXT TO 3/4-16 INT | 2 |
| 28 | 303581 | PUMP - MAIN VD FS | 1 |
| 30 | 400155 | FTG - 90 7/8-14 TO #8 | 2 |
| 31 | 302115 | BRKT - FWD/REV PLTD | 1 |
| 32 | 303918 | SPACER - FWD/REV BRKT PLTD | 1 |
| | 316369 | ALTERNATOR - PERKINS DSL (SP) | 1 |
| | 313270 | ASSY - MNT THROTTLE PERKINS 104-19 | 1 |
| | 313270 | ASSY - THROTTLE MNT PERK 104-19 | 1 |
| | 316423 | BELT - FAN ENG PERK DSL 104-19 | 1 |

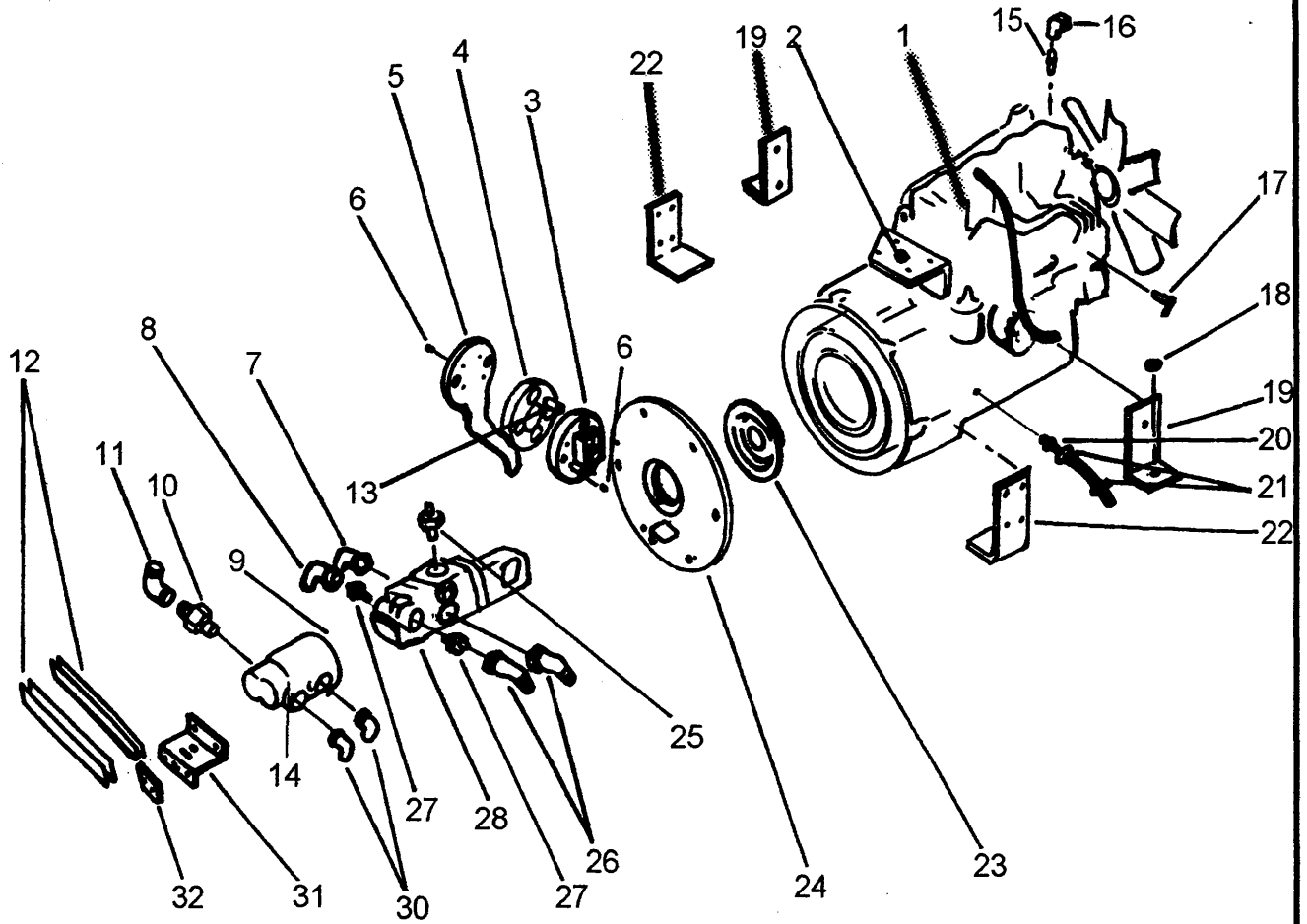
ENGINE -PERKINS (DIESEL - 104-19)



ENGINE -PERKINS (DIESEL 104-19) (90 ONLY)

| REF# | PART# | DESCRIPTION | QUANTITY |
|------|--------|------------------------------------|----------|
| | 316370 | FAN - PERKINS DSL ENG (SP) | 1 |
| | 316422 | FILTER - FUEL PERKINS DSL 104-19 | 1 |
| | 316421 | FILTER - OIL PERKINS DSL 104-19 | 1 |
| | 316371 | FLYWHEEL - PERKINS DSL ENG (SP) | 1 |
| | 316372 | HOUSING - FLYWHEEL PERKINS (SP) | 1 |
| | 400072 | NUT - HEX #10-32 ZP | 1 |
| | 400081 | NUT - HEX 1/4-20 ES ZP | 3 |
| | 400071 | NUT - HEX 1/4-20 ZP | 2 |
| | 400180 | NUT - HEX 1/4-28 ZP | 9 |
| | 400079 | NUT - HEX 3/8-16 ES ZP | 4 |
| | 400080 | NUT - HEX 5/16-18 ES ZP | 4 |
| | 400070 | NUT - HEX 5/16-18 ZP | 2 |
| | 400069 | NUT - HEX 5/16-24 ZP | 2 |
| | 400195 | NUT - HEX 8MM 1.25 P BLUE CR PLTD | 2 |
| | 400191 | PIN - ROLL 5/16 DIA X 1.0 | 2 |
| | 302961 | PLATE - WS TAP ES OPTION | 1 |
| | 400613 | SCREW - 14MM X 1.5 X 25MM | 4 |
| | 400023 | SCREW - HEX 1/2-13 X 1.0 ZP | 4 |
| | 400040 | SCREW - HEX 1/4-20 X 1.0 ZP | 2 |
| | 400149 | SCREW - HEX 1/4-20 X 1.5 ZP | 2 |
| | 400173 | SCREW - HEX 1/4-20 X 1.75 ZP | 1 |
| | 400030 | SCREW - HEX 3/8-16 X 1.0 ZP | 6 |
| | 400029 | SCREW - HEX 3/8-16 X 1.25 ZP | 2 |
| | 400031 | SCREW - HEX 3/8-16 X 2.0 ZP | 1 |
| | 400035 | SCREW - HEX 5/16-18 X 1.0 ZP | 10 |
| | 400033 | SCREW - HEX 5/16-18 X 1.5 ZP | 2 |
| | 400038 | SCREW - HEX 5/16-18 X 2.25 ZP | 2 |
| | 400228 | SCREW - HEX 5/16-24 X 1.5 ZP | 2 |
| | 400196 | SCREW - HEX 8MM X 1.25 P X 25MM ZP | 2 |
| | 300387 | SENDER - OIL PRESSURE | 1 |
| | 316368 | STARTER - PERKINS DSL ENG (SP) | 1 |
| | 313271 | TUBE - AIRCLEANER PERKINS 104-19 | 1 |
| | 400089 | WASHER - FLAT 1/4 STANDARD ZP | 8 |
| | 400087 | WASHER - FLAT 3/8 STANDARD ZP | 3 |

ENGINE -PERKINS (DIESEL - 104-19)

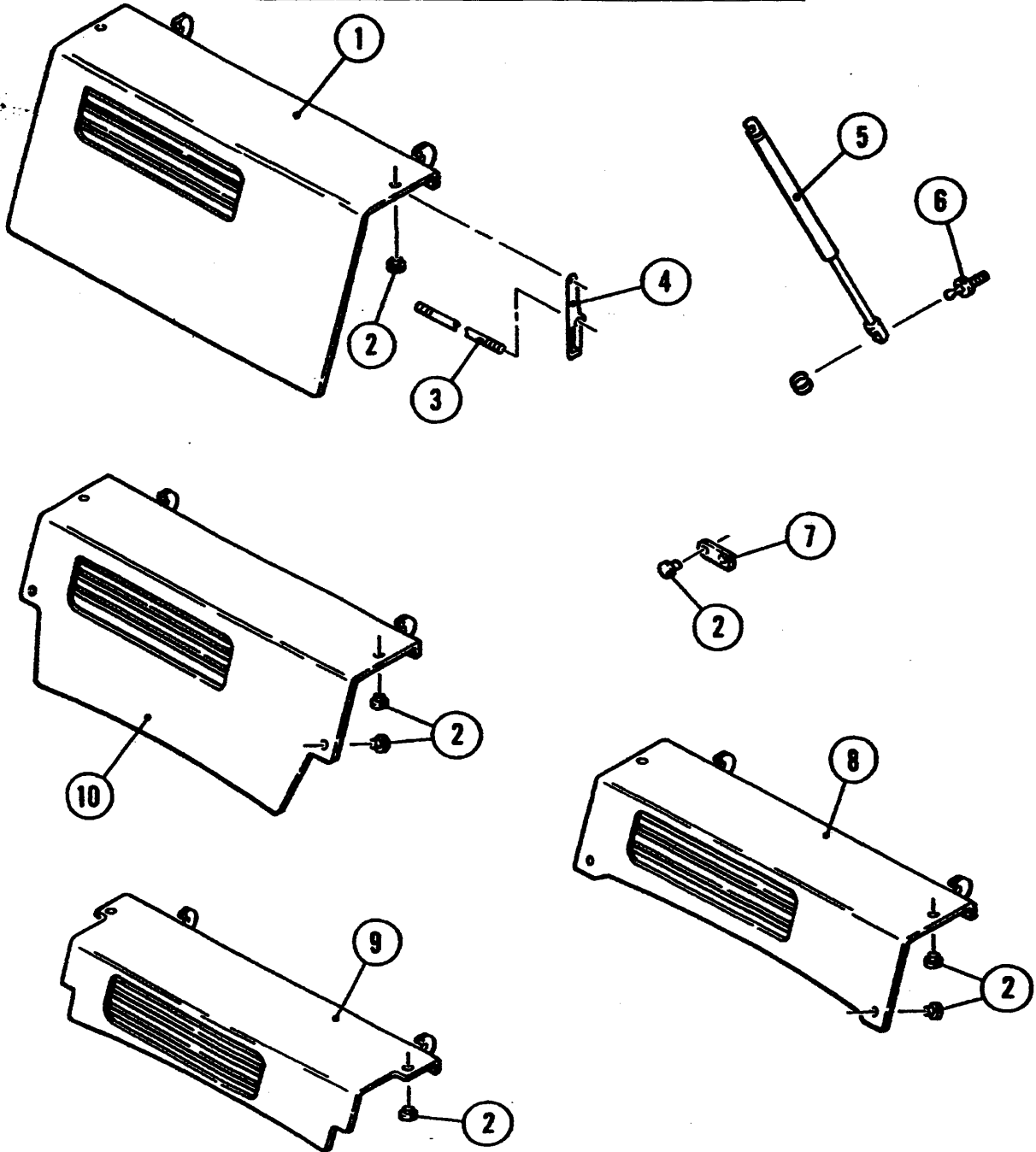


ENGINE -PERKINS (DIESEL 104-19) (90 ONLY)

| REF# | PART# | DESCRIPTION | QUANTITY |
|------|--------|-------------------------------------|----------|
| | 400088 | WASHER - FLAT 5/16 STANDARD ZP | 1 |
| | 400086 | WASHER - FLATE 1/2 STANDARD ZP | 10 |
| | 400098 | WASHER - LOCK 1/2 SPLIT ZP | 10 |
| | 400103 | WASHER - LOCK 1/4 SPLIT ZP | 10 |
| | 400614 | WASHER - LOCK 14MM | 4 |
| | 400101 | WASHER - LOCK 3/8 SPLIT ZP | 8 |
| | 400102 | WASHER - LOCK 5/16 SPLIT ZP | 15 |
| | 313268 | WIRING HARNESS - ENG PERKINS 104-19 | 1 |



ENGINE COVER





ENGINE COVER

| REF# | 90 SER | 80 SER | DESCRIPTION | QUANTITY |
|------|--------|--------|-------------------------------------|----------|
| 1 | 301784 | 301787 | COVER ASSEMBLY, CSS ENGINE, PAINTED | |
| 2 | 300526 | | BUMPER, ENGINE COVER, RUBBER | |
| 3 | 303993 | 303994 | HANDLE, CSS ENGINE COVER, PLTD. | |
| 4 | 303992 | | LATCH, CSS ENGINE COVER, PLTD. | |
| 5 | 300375 | | SPRING, GAS, COVER | |
| 6 | 300376 | | STUD, BALL, GAS SPRING | |
| 7 | 302442 | | SUPPORT, COVER, CSS | |
| 8 | 300992 | 301502 | ASSY ENGINE COVER (LOW DUMP) | |
| 9 | 301211 | 301505 | ASSY ENGINE COVER (HIGH DUMP) | |
| 10 | 301778 | 301781 | ASSY ENGINE COVER (ISS) | |



EXHAUST - KUBOTA

TO BE SUPPLIED AT A LATER DATE

EXHAUST - KUBOTA

TO BE SUPPLIED AT A LATER DATE



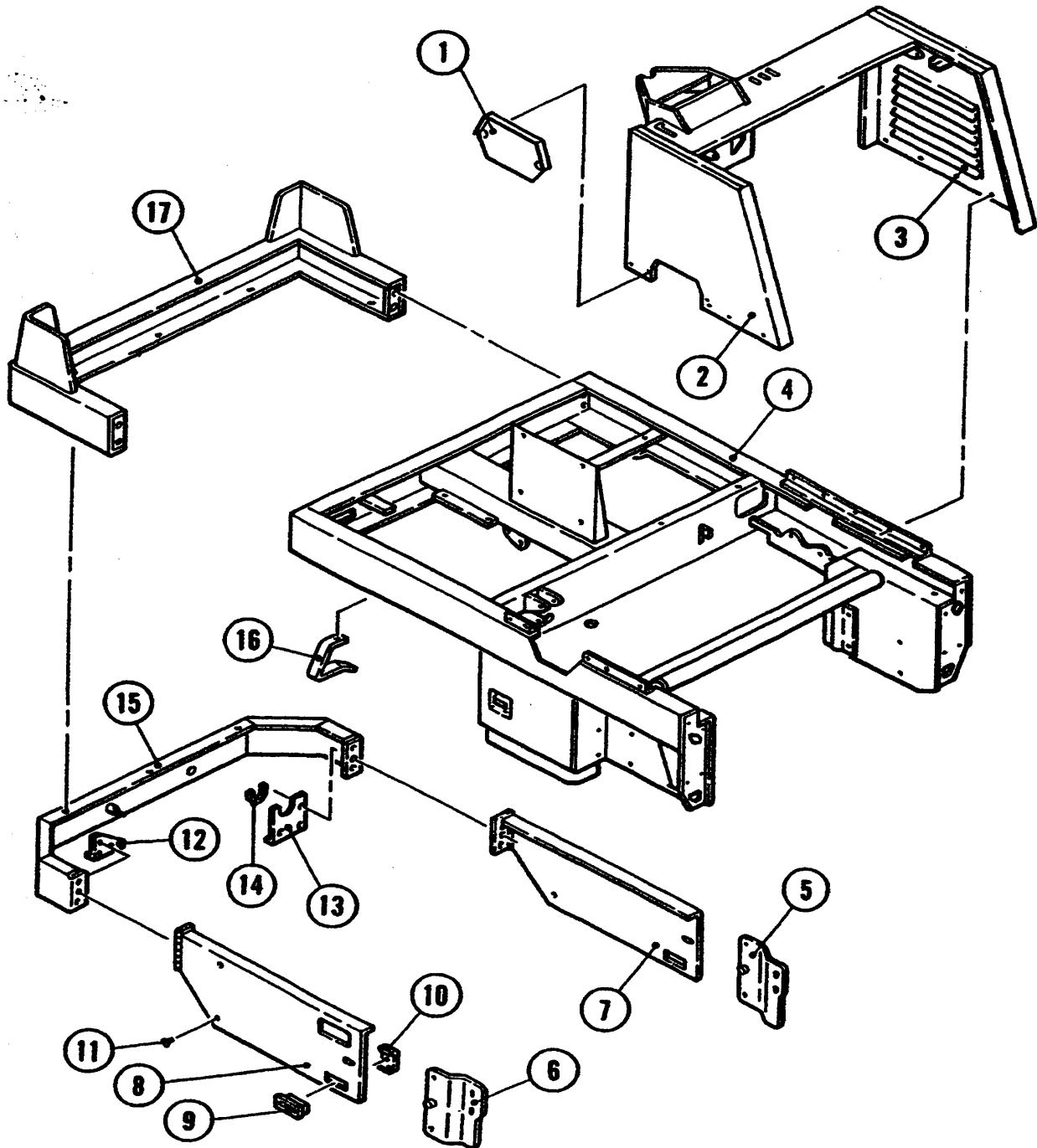
EXHAUST - PERKINS

TO BE SUPPLIED AT A LATER DATE

EXHAUST - PERKINS

TO BE SUPPLIED AT A LATER DATE

FRAME

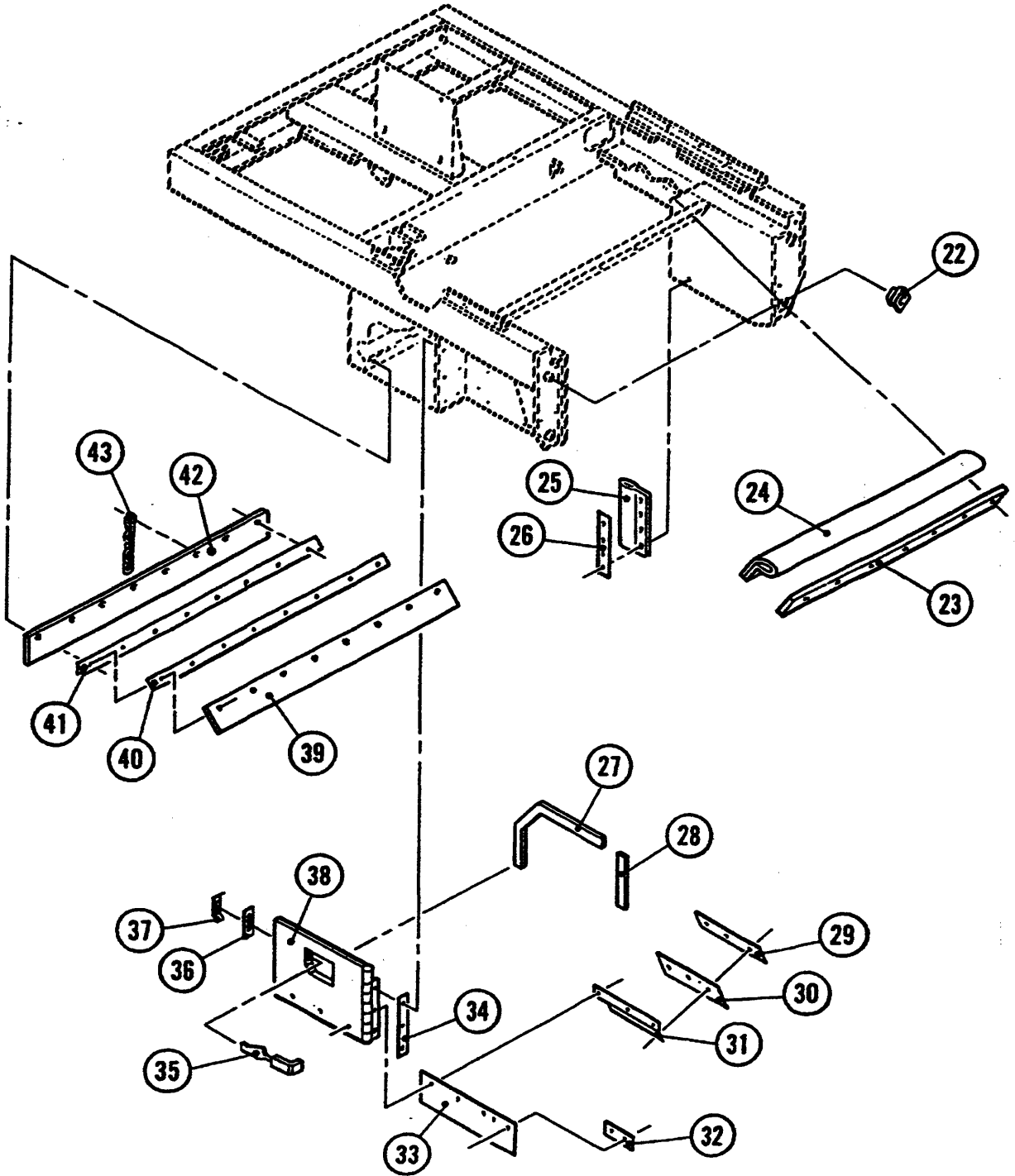




FRAME

| REF# | 90 SER | 80 SER | DESCRIPTION | QUANTITY |
|------|--------|--------|--|----------|
| 1 | 304970 | 305380 | COVER ASSEMBLY, PUMP, PAINTED | |
| 2 | 300269 | 300270 | LINTEL ASSEMBLY, PAINTED (LOW DUMP) | |
| | 300833 | 300831 | LINTEL ASSEMBLY, PAINTED (HIGH DUMP) | |
| 3 | 303150 | | GRILL ASSEMBLY, RADIATOR | |
| 4 | 305825 | 305799 | FRAME ASSEMBLY | |
| 5 | 300935 | | RETAINER ASSEMBLY, SCRUB DOOR (LH) | |
| 6 | 300933 | | RETAINER ASSEMBLY, SCRUB DOOR (RH) | |
| 7 | 301225 | | DOOR ASSEMBLY, SCRUB (LH) | |
| 8 | 301227 | | DOOR ASSEMBLY, SCRUB (RH) | |
| 9 | 300380 | | LATCH ASSEMBLY | |
| 10 | 302342 | | RETAINER, LATCH | |
| 11 | 300526 | | BUMPER, RUBBER | |
| 12 | 301290 | | STOP, SQUEEGEE (RH) | |
| 13 | 305876 | | STOP, SQUEEGEE (LH) | |
| 14 | 301618 | | EDGING, SQUEEGEE STOP | |
| 15 | 305878 | 305877 | GUARD ASSEMBLY, SQUEEGEE | |
| 16 | 301413 | | SUPPORT, DRAIN HOSE | |
| 17 | 300811 | 305926 | EXTENSION ASSEMBLY, BUMPER | |
| | 304597 | | EXTENSION ASSEMBLY, BUMPER (HIGH CAPACITY) | |
| 18 | 301386 | | SEAL, LIFT ROD, MAIN BROOM (NOT ILLUSTRATED) | |
| 19 | 301387 | | SEAL, LIFT ARM, MAIN BROOM (NOT ILLUSTRATED) | |
| 20 | 306246 | | RETAINER, SEAL, LIFT ROD (NOT ILLUSTRATED) | |
| 21 | 306248 | | COVER, CLEAN OUT, ENGINE PAN (NOT ILLUSTRATED) | |
| 22 | 301168 | | EDGING, CURB BROOM | |
| 23 | 300949 | 300206 | STRAP, HOPPER FRAME | |
| 24 | 300190 | 300180 | SEAL, HOPPER FRAME | |
| 25 | 300397 | | SEAL, HOPPER, SIDE | |
| 26 | 300150 | | RETAINER, SIDE SEAL | |
| 27 | 300549 | | GASKET, BROOM DOOR | |
| 28 | 309279 | | GASKET, FRONT, BROOM DOOR | |
| 29 | 306380 | | STRAP, FLAP, INNER BROOM DOOR | |
| 30 | 306377 | | FLAP, INNER, BROOM DOOR | |
| 31 | 306378 | | MOUNT, INNER BROOM DOOR FLAP (RH) | |
| | 306379 | | MOUNT, INNER BROOM DOOR FLAP (LH) | |
| 32 | 305868 | | STRAP, INNER BROOM DOOR FLAP | |
| 33 | 305870 | | FLAP, BROOM DOOR | |
| 34 | 300888 | | SPACER, BROOM DOOR | |
| 35 | 305865 | | HANDLE, BROOM DOOR (RH) | |
| | 305864 | | HANDLE, BROOM DOOR (LH) | |
| 36 | 305869 | | SEAL, BROOM DOOR LATCH | |
| 37 | 305866 | | RETAINER, SEAL, BROOM DOOR LATCH | |
| 38 | 305854 | | DOOR ASSEMBLY, MAIN BROOM (RH) | |
| | 305855 | | DOOR ASSEMBLY, MAIN BROOM (LH) | |
| 39 | 305788 | 305786 | SKIRT, INNER | |

FRAME (CONT.)

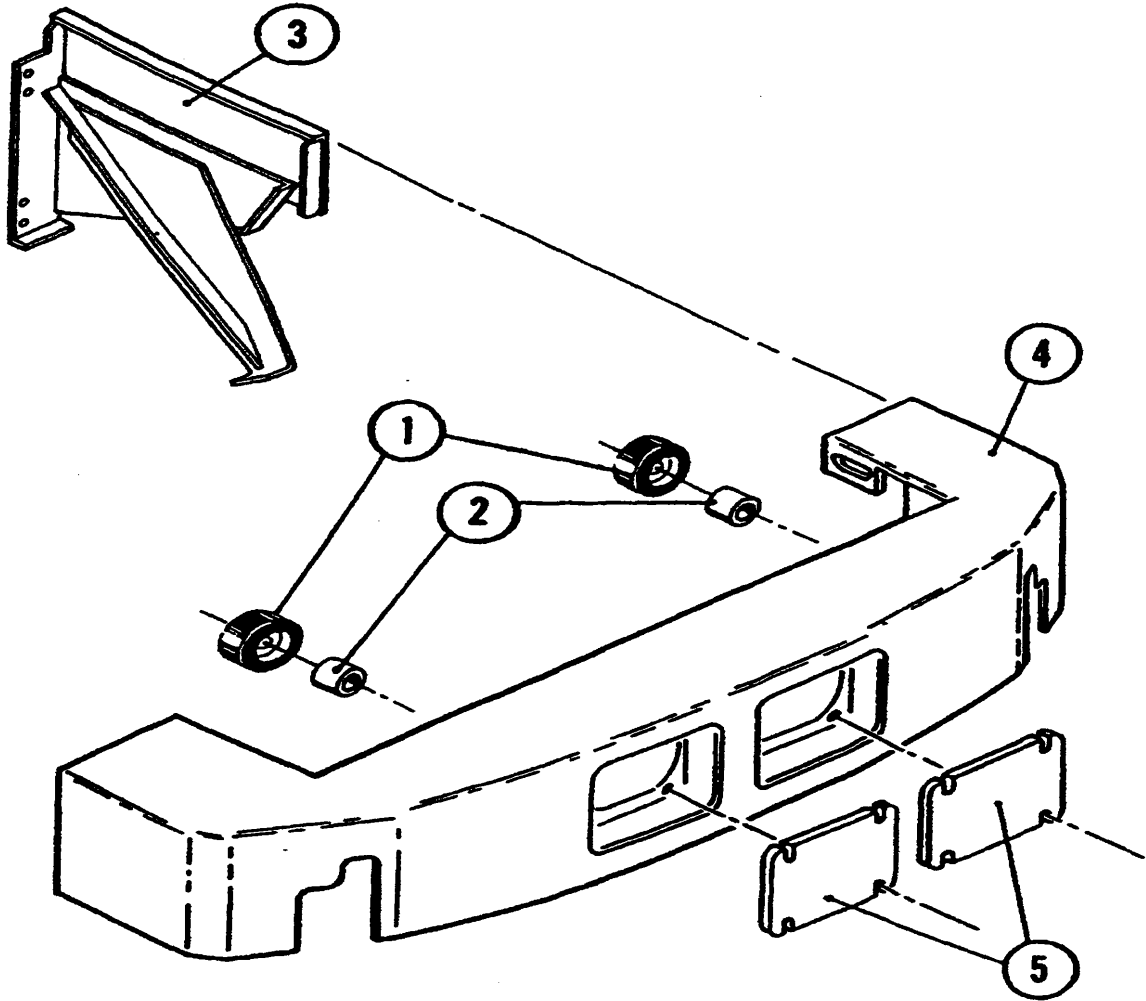




FRAME (CONT.)

| REF# | 90 SER | 80 SER | DESCRIPTION | QUANTITY |
|------|--------|--------|---------------------|----------|
| 40 | 305801 | 305792 | STRAP, SKIRT, INNER | |
| 41 | 305802 | 305791 | ANGLE, SKIRT | |
| 42 | 305787 | 305785 | SKIRT, OUTER | |
| 43 | 301648 | | CHAIN, GROUNDING | |

FRONT BUMPER



FRONT BUMPER

| REF# | 90 SER | 80 SER | DESCRIPTION | QUANTITY |
|------|--------|--------|--------------------------------------|----------|
| 1 | 300338 | | BUMPER, RUBBER | |
| 2 | 301085 | | SPACER, FRONT BUMPER | |
| 3 | 301687 | | LEG ASSEMBLY, SAFETY (HD) | |
| | 305543 | | EXTENSION ASSEMBLY, FRAME (LD) | |
| 4 | 301042 | 301038 | BUMPER ASSEMBLY, FRONT | |
| 5 | 301662 | | FILTER, HEADLIGHT | |
| 6 | 304624 | | BUMPER, RUBBER CAP (NOT ILLUSTRATED) | |
| 7 | 400355 | | SCREW, LEVEL BOLT (NOT ILLUSTRATED) | |

FUEL SYSTEM

